

User Instruction Manual

Oxford® Classic Lifts (Mini • Midi • Major • Maxi)

To avoid injury, read user manual prior to use. For alternative languages, contact your authorised service provider.

Manuel de l'utilisateur

Oxford® Classic Lifts (Mini • Midi • Major • Maxi)

Afin d'éviter tout accident, veuillez lire attentivement la notice avant utilisation. Pour obtenir ces informations dans une autre langue, veuillez contacter votre prestataire de service agréé.

Benutzerhandbuch

Oxford® Classic Lifts (Mini • Midi • Major • Maxi)

Um Verletzungen zu vermeiden, lesen Sie bitte die Gebrauchsanweisung vor der ersten Benutzung. Für andere Sprachen wenden Sie sich an Ihren autorisierten Dienstanbieter.

Manual de Instrucciones

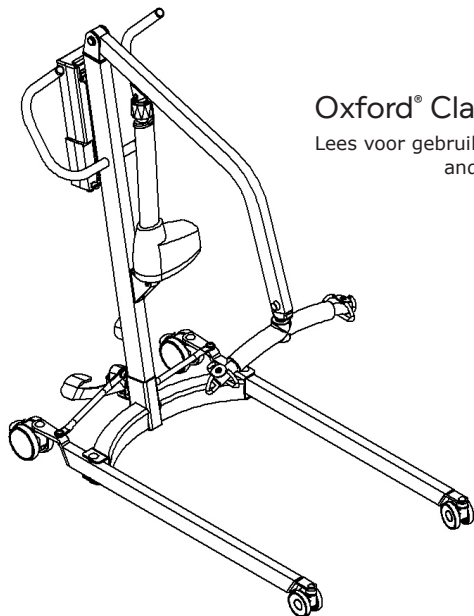
Oxford® Classic Lifts (Mini • Midi • Major • Maxi)

Para evitar posibles daños, lea previamente el manual de usuario. Para otros idiomas, póngase en contacto con su proveedor de servicios autorizado.

Gebruikershandleiding

Oxford® Classic Lifts (Mini • Midi • Major • Maxi)

Lees voor gebruik de handleiding om letsel te voorkomen. Neem voor andere talen contact op met uw erkende dienstverlener.

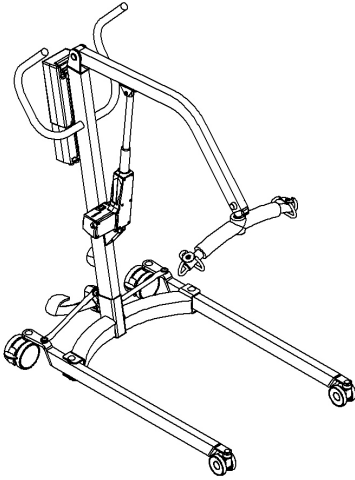


Contents

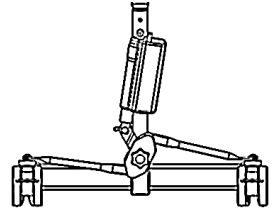
1.	Oxford Classic Lift Range.....	3
2.	Introduction: About Your Lift.....	5
3.	Assembly & Commissioning Instructions.....	6
4.	Safety Precautions	10
5.	Smart™ Monitor & Handset.....	12
6.	Operating Instructions	16
7.	Charging Instructions (Electric models only)	19
8.	Maintenance Schedule & Daily Check List.....	21
9.	Technical Specifications	24
10.	Warranty	29

1. Oxford Classic Lift Range

Oxford Mini 140:



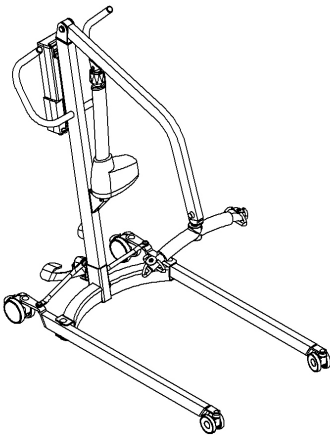
Hydraulic ram
(Replaces actuator
on hydraulic models)



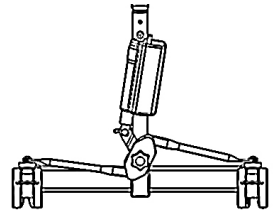
Leg actuator
(Replaces foot pedal
on electric leg models)

Fig. 1

Oxford Midi 180:



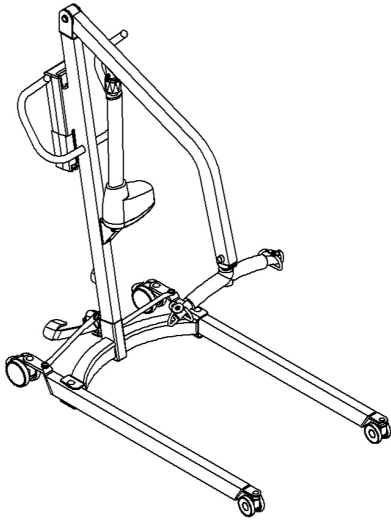
Hydraulic ram
(Replaces actuator
on hydraulic models)



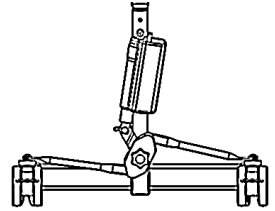
Leg actuator
(Replaces foot pedal
on electric leg models)

Fig. 2

Oxford Major 200:



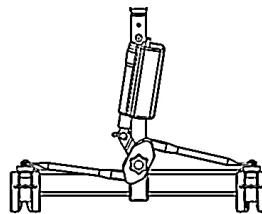
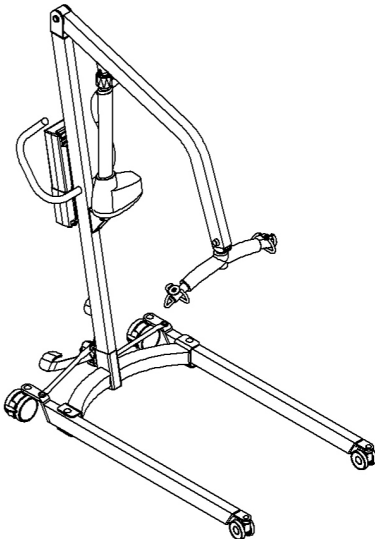
Hydraulic ram
(Replaces actuator
on hydraulic models)



Leg actuator
(Replaces foot pedal
on electric leg models)

Fig. 3

Oxford Maxi 180:



Leg actuator
(Replaces foot pedal
on electric leg models)

Fig. 4

2. Introduction: About Your Lift

The Oxford Classic Lift range is available with hydraulic or electric powered options with the exception of the Maxi 180 which is electric only. This manual covers both options.

Each lift is fully assembled, load tested and certified before being partially dismantled for packing. The packing consists of a strong, purpose built carton and is used for both export and domestic markets to ensure the safe arrival of the lift.

Recycling of Packaging:

In an effort to reduce levels of waste and environmental impact, Joerns Healthcare operate a free of charge recycling service in the UK. This is specifically for the foam inserts that accompany the lift packaging - inside of the carton.

When you are ready to return the foam inserts, simply present them to the Joerns Delivery Service Driver on their next visit and they will return them to us for recycling.

Accompanying Documents:

A number of documents are supplied in a wallet packed with each lift and should be retained for future reference.

- Test Certificate
- User Manual

The TEST CERTIFICATE is an important document and is required for your insurance records. It is valid for 6 months and once expired, the lift should be inspected and serviced for the following six month period. Servicing and periodic LOLER testing can be carried out by your supplier. Please ensure your lift is included in their maintenance schedule.

⚠ WARNING

Prior to each daily use of your lift the checks detailed in the daily checklist within this manual should be carried out.

The CE mark: The Oxford Classic Lifts carry the CE mark and comply with the following EC directives:



- Medical Device Directive (93/42/EEC)
- EMC Directive (89/336/EEC) (Electrics only)
- Low Voltage Directive (73/23/EEC) (Electrics only)

Statement of Intended Use:

The intended use of this lifting device is to transfer an individual from one resting surface to another (such as a bed to a wheelchair). Moving a person in a sling over extended distances is not recommended. Oxford Classic Lifts are suitable for patients in the SITTING, SITTING/RECUMBENT and RECUMBENT positions.

⚠ WARNING

Oxford Patient Lifts should only be operated by fully trained/competent care givers.

Expected Service Life:

Oxford Classic mobile lifts are designed and tested for a minimum service life of seven (7) years, subject to the use and maintenance procedures stated in this manual. Use other than in accordance with these instructions may compromise service life.

Serious Incident Reporting:

In the event of a serious incident taking place during use of this product, affecting the patient and/or care-giver, it must be reported to the product manufacturer or authorised distributor. Should the incident take place within the European Union (EU), it must also be reported to the local competent authority within the member state.

3. Assembly and Commissioning Instructions

Place the carton in a clear working area and open carefully. The carton contains:

- Main wheeled chassis
- Mast and boom assembly
- Battery pack (electric lifts only)
- Wallet containing documents
- Battery charger (electric lifts only)
- Hand control (electric lifts only)

1. Remove all the parts from the carton and place on the floor, taking care to protect the finish from damage.

⚠ WARNING

Some of the parts are heavy and will need to be lifted with care. You may need assistance with the heavier assemblies.

2. Apply the rear castor brakes by pushing the brake levers (Fig. 5) downwards.
3. Fit the mast assembly to the chassis. The mast is located into the rectangular socket on the top centre of the chassis. (Fig. 5 - manual leg model shown).

⚠ WARNING

Avoid trapping fingers. Keep fingers away from the end of the mast when inserting into the socket.

To avoid any inadvertent damage to the leg opening actuator, ENSURE the legs are set in the open position before inserting the mast into the socket on electric leg variants.

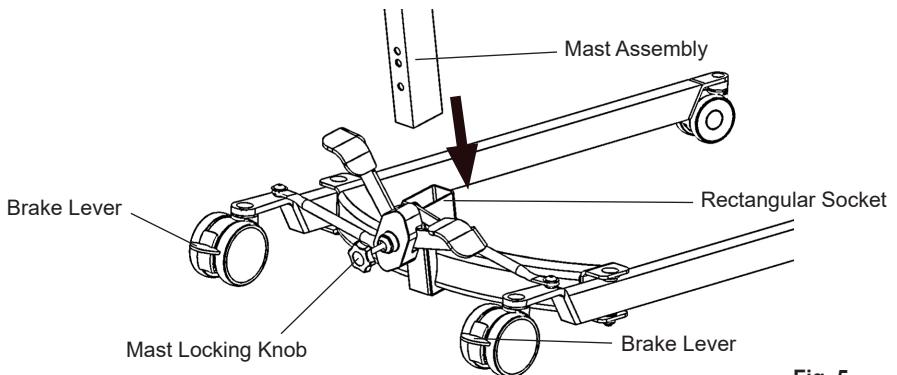


Fig. 5

4. When the mast is fully engaged within the socket, turn the mast locking knob (Fig. 5) clockwise, until fully tightened.

⚠ WARNING

Full engagement of the mast is indicated by the label on the side of the mast.

5. **Electric Leg Operation:** There is some minor assembly required in order to connect the leg actuator to the leg adjustment mechanism. Gently swing the actuator into place over the leg pivot bracket ensuring the corresponding holes are in alignment. Insert the clevis pin, ensuring the plastic wear washers remain in place. To finish, fit the spring clip through the hole in the clevis pin and confirm secure attachment.

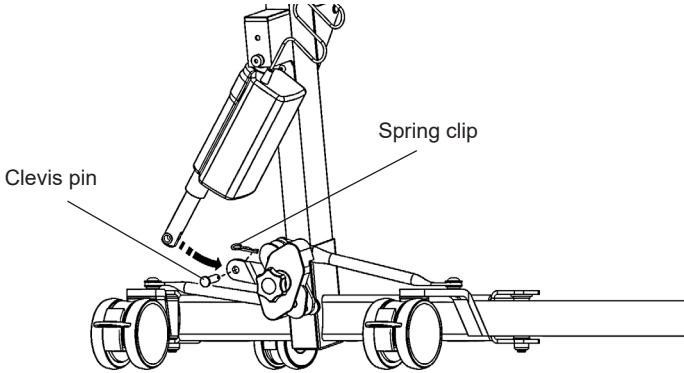


Fig. 6

Foot Pedal Leg Operation: If your lift is fitted with foot pedal operated legs, release the brakes and confirm they open and close satisfactorily by operating the push pedals (Fig. 7). Hold onto the push handle for stability.

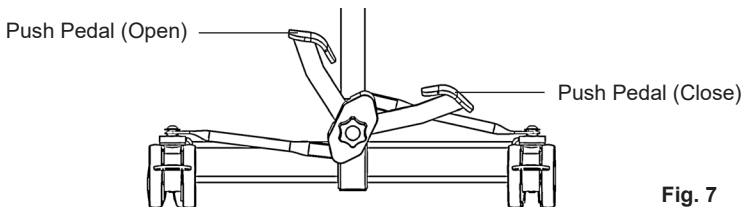


Fig. 7

Electric Models Only:

- Clip the battery onto the control box and ensure the red emergency stop button, located on the controller is in the out (ON) position by turning clockwise (Fig. 8).

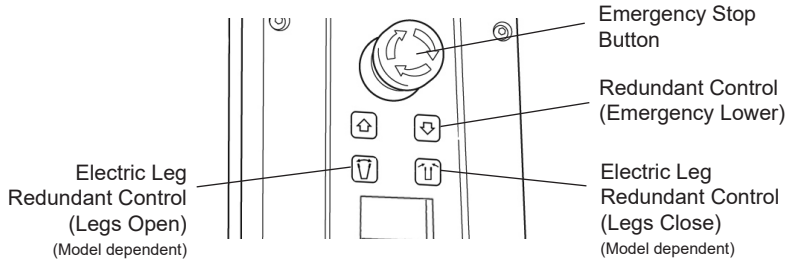


Fig. 8

- Push the UP and DOWN buttons on the hand control and confirm the boom will raise and lower accordingly (Fig. 9).

NOTE: If your lift incorporates electric leg operation, confirm the legs open and close by pushing the OPEN and CLOSE buttons on the hand control.

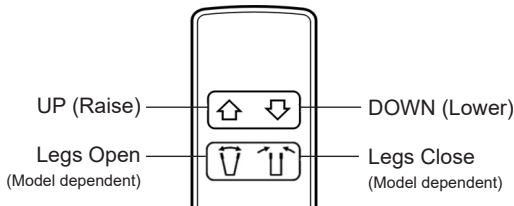


Fig. 9

- Prior to initial use, the service counter must be zeroed by an authorised dealer.
- The lift is now ready for use.

Hydraulic Models Only:

6. Close the hydraulic unit release valve (Fig. 10) by turning the knurled black knob on the unit fully clockwise.

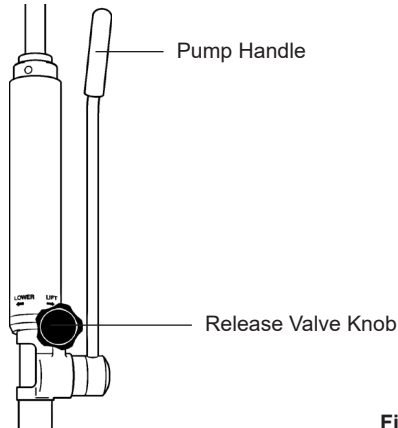


Fig. 10

NOTE: The release valve requires only minimal tightening to operate and should only be closed finger tight.

⚠ WARNING

DO NOT apply excessive force to the release valve knob as this will result in damage to the valve.

7. Pump the handle (Fig. 10) of the hydraulic unit and confirm the ram raises the boom.
8. Open the release valve fully anti-clockwise and check the boom descends.

NOTE: An unloaded boom will not come down under its own weight, it will be necessary to apply some pressure to the boom before it will descend.

⚠ WARNING

The release valve is fully open and encounters a positive end stop in less than two full turns of the knob. DO NOT force the valve past the end stop as this will result in damage to the valve.

9. Close the release valve by turning the knurled black knob clockwise.
10. The lift is now ready for use.

4. Safety Precautions

Please read and follow the safety precautions listed below. The operation and use of Oxford patient lifts is simple and straightforward. Following these few basic safety precautions will make lifting operations easy and trouble free.

READ AND UNDERSTAND THE USER INSTRUCTION MANUAL BEFORE USING YOUR “CLASSIC” LIFT

WARNING: Important safety information for hazards that might cause serious injury.

CAUTION: Information for preventing damage to the product.

NOTE: Information to which you should pay special attention.

⚠ WARNING

- Oxford Patient Lifts should only be operated by fully trained/competent care givers.
- ALWAYS plan your lifting operations before commencing.
- ALWAYS carry out the DAILY CHECK LIST before using the lift.
- ALWAYS familiarise yourself with the operating control and safety features of a lift before lifting a patient.
- DO NOT use a sling unless it is recommended for use with the lift.
- ALWAYS check the sling is suitable for the particular patient and is of the correct size and capacity.
- NEVER use a sling which is frayed or damaged.
- ALWAYS fit the sling according to the instructions provided (user instructions).
- ALWAYS check the safe working load of the lift is suitable for the weight of the patient.
- ALWAYS carry out lifting according to the instructions in the user manual.
- NEVER disconnect or bypass a control or safety feature because it seems easier to operate the lift.
- NEVER force an operating or safety control. All controls are easy to use and do not require excessive force to operate. If a control is not working easily there will be a reason. Forcing will only strain or damage the lift and may compromise safety. If in doubt, contact your authorised Oxford Service Provider or Joerns Healthcare.
- DO NOT lift a patient with the castor brakes on.
- DO NOT attempt to manoeuvre the lift by pushing on the mast, boom or patient.
- ALWAYS manoeuvre the lift using the handles provided. DO NOT attempt to apply additional side force to the boom or legs of the lift in order to manoeuvre the product.

⚠ WARNING

- **ALWAYS** lower the patient to the lowest comfortable position before transfers.
- **DO NOT** push a loaded lift at speeds which exceed a slow walking pace (3 kilometers/hour 0.8 metres/second).
- **DO NOT** push the lift over uneven or rough ground, particularly if loaded.
- **DO NOT** attempt to push or pull a loaded lift over a floor obstruction which the castors are unable to ride over easily.
- **DO NOT** bump the lift down steps, loaded or unloaded.
- **DO NOT** attempt to negotiate a loaded lift on a slope which exceeds 1:12 (approximately 5 degrees). Joerns Healthcare recommend a second helper is present when moving a patient on a slope.
- **DO NOT** park a loaded lift on ANY sloping surface.
- **DO NOT** use electric lifts in a shower.
- **DO NOT** charge an electric lift in a bathroom or shower room.
- **DO NOT** lift a patient unless you are trained and competent to do so.
- Your lift is for patient lifting. **DO NOT** use it, or allow it to be used, for any other purpose.
- The Oxford Classic Range is not intended for continuous use/storage in condensing humid conditions.
- The **MINIMUM** load required to manually lower the hoist using the mechanical emergency down function is 30 kg (where fitted).

5. Smart Monitor & Handset

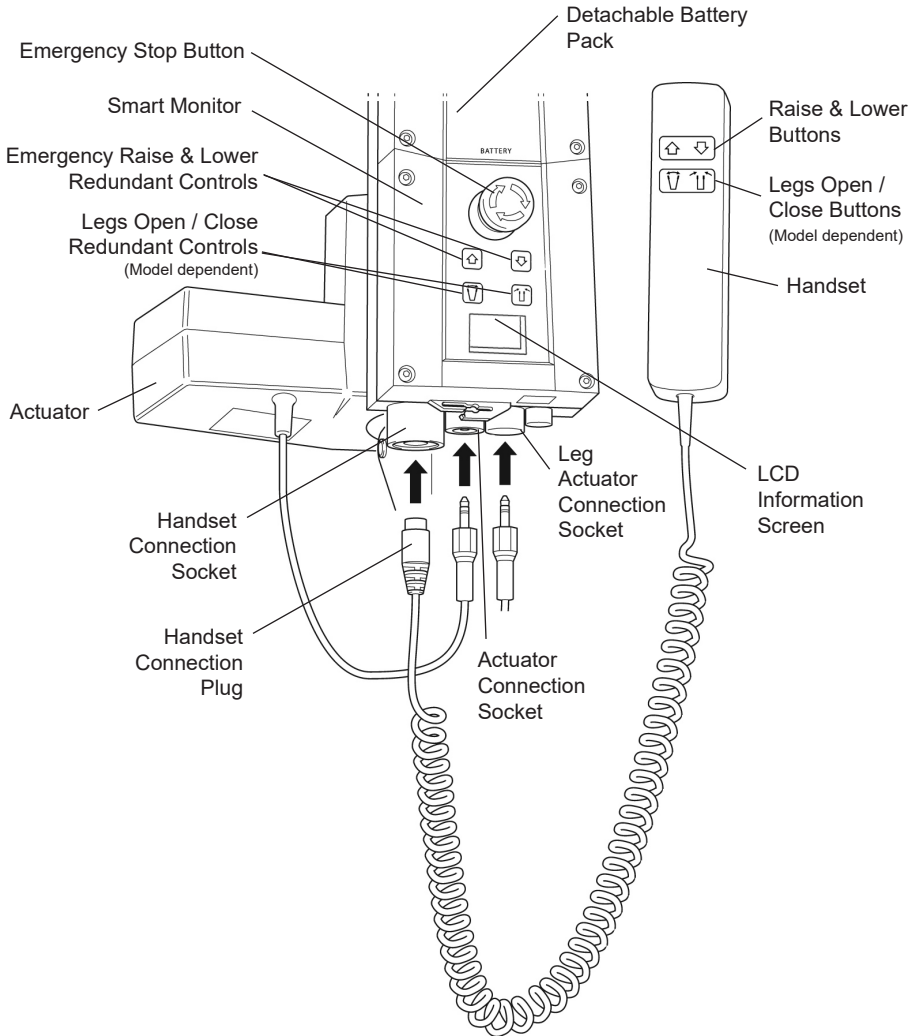


Fig. 11

Intended Use:

The Oxford Smart Monitor is a control system for Oxford Mobile Hoists. The Smart Monitor stores useful servicing information about the hoist that can be recalled when required. This servicing information includes:

- Number of patient lift cycles
- Total work done by actuator
- Number of lift overloads (attempted lifts above the safe working load)
- Number of days since last service interval

The Oxford Smart Monitor contains a microprocessor inside making it possible to read out service data via the on-board LCD screen.

Features:

- Data collection in the control box with data display via LCD screen
- Work counter
- Intelligent cycle counter
- Service indicator
- Service interval indicator
- Overload information
- 3 step battery indicator

Benefits:

- Improved safety for both patient and carer
- Accurate service data available at the touch of a button
- Optimised product life time
- Ease of maintenance for engineers and service technicians

LCD Display Screen:

The Oxford Smart Monitor has the option to read out information via the LCD display screen. It is possible to read out total lifting cycles, total work done, overloads and number of days since last service, which can be used to quickly and easily evaluate the condition of the lift actuator (Fig. 12).

This information is accessed by a ½ second press on the 'RAISE' button on the User handset or redundant 'RAISE' button on the Smart Monitor.

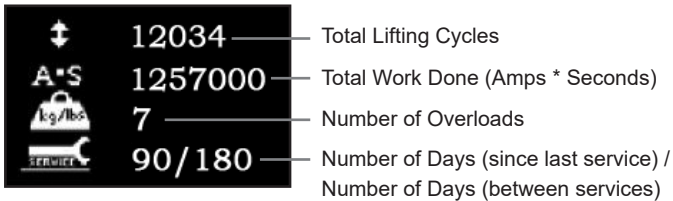


Fig. 12

Service & Usage Information:



Fig. 13

When it is time for a service, the service symbol will appear on the display (Fig. 13). In addition, when the user handset is activated, the Smart Monitor will give an audible signal giving notice to users that a service is required.

The service symbol will be displayed each time the raise or lower keys are depressed on the user handset. When the service symbol is displayed, contact your authorised service provider immediately to arrange a service.



Fig. 14

If the lift stops because of an overload (an attempt to lift more than the safe working load) the overload symbol will appear on the LCD display (Fig. 14) and the lift will cease to operate until the additional load (above the SWL) has been removed.

⚠ WARNING

If the LCD display screen on your Smart Monitor has recorded an overload, Joerns Healthcare recommend that ALL routine daily checks are carried out on the lift prior to further use (for a list of daily checks, please refer to your lift user manual). Joerns Healthcare also recommend that you contact your authorised Oxford service provider for additional guidance.

On-Board Redundant Controls:

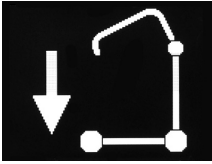


Fig. 15

On-board redundant controls enable the lift to be raised or lowered in the event of an emergency (Fig. 15).

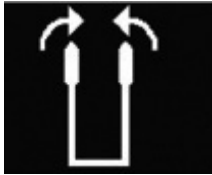


Fig. 16

If your lift incorporates powered leg positioning, there are redundant controls to both open and close the legs. (Fig 16).

Battery Information:



Fig. 17

The display showing full battery means that the battery is fully charged and the lift is ready for use (Fig. 17).

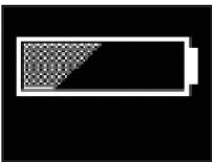


Fig. 18

The display showing a half empty battery indicates that it is time to charge the battery (Fig. 18).

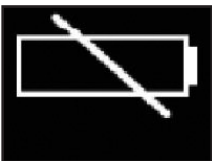


Fig. 19

The empty battery symbol showing on the display indicates that the battery has no capacity left and should be placed on charge immediately (Fig. 19).

⚠ WARNING

To avoid possible permanent damage to the battery, the battery should be placed on charge as soon as the display indicates the half empty battery symbol (Fig. 18).

6. Operating Instructions

⚠ WARNING

Oxford Patient Lifts should only be operated by fully trained/competent care givers

1. **Leg adjustment:** The legs on Oxford Classic lifts can be opened to enable access around armchairs, wheelchairs and other furniture. For transferring and negotiating narrow doorways and passages, the lift legs should be in the closed position.

Electric Leg Operation: Simply press the appropriate button on the hand control in order to open or close the legs. You may also use the redundant control soft keys located on the front of the control box above the LCD display screen.

Foot Pedal Leg Operation: Simply operate the push-pads, located at the lower/rear of the mast. To open the legs, simply depress the LEFT push-pad. To close the legs, depress the RIGHT push-pad.

In either case, the adjustment can be carried out with the patient in the lift.

2. **Castors and braking:** The lift has two braked castors which can be applied for parking. When lifting, the castors should be left free and unbraked. The lift will then be able to move to its centre of gravity. If the brakes are applied, it is the patient that will swing to the centre of gravity and this may prove disconcerting and uncomfortable.
3. **Direction of travel (Forward motion):** The Classic range of mobile lifts are designed to be pushed forwards using the integrated push-handle.

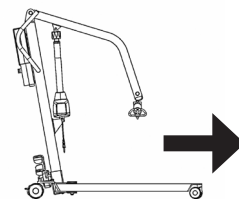


Fig. 20

4. **Straight line steering (where fitted):** One of the rear castors is fitted with a straight line steering device. To engage the device simply swing the 'U' shaped bar over the rear castor. The device will automatically engage as you move off.
5. **Raising and lowering the boom (electric models):** The movement of the boom is achieved by a powerful electric actuator which is controlled by a simple hand control unit. The hand control has two buttons with directional arrows RAISE and LOWER. The actuator stops automatically at the limit of travel in both directions. The hand control plugs into a socket at the base of the control box. There is a magnetic backing to the hand control which allows it to be "parked" on the mast or boom when not in use.
6. **Emergency stop (Electric only):** The red emergency stop button is located on the control box and is activated by pressing in. This will cut all power to the lift and can only be reset by twisting the button clockwise and releasing.
7. **Redundant controls:** All Oxford Classic Lifts are fitted with raise and lower buttons on the control box. These are located underneath the emergency stop button and can be used to lower/raise the patient should the hand control fail.

8. **Emergency lower:** In the case of a complete electrical failure the electrical actuator is fitted with a mechanical lowering device (RED BOSS). The device must be twisted clockwise by hand to operate. A slow decent will commence. Repeat this process until the patient has been safely lowered.

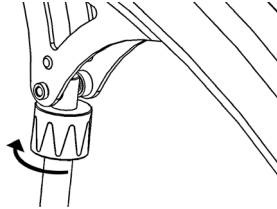


Fig. 21

⚠ WARNING

The emergency lowering device should only be used in the event of electrical failure. It must not be used to lower the patient on a regular basis.

⚠ WARNING

If this feature is used, the lift **MUST** be subsequently checked out by a competent engineer.

⚠ WARNING

Continued use of the hoist after using the emergency descent feature may compromise the duty of care and safety of the patient.

9. **Batteries:** The batteries are protected from deep discharge by a LOW VOLTAGE ALARM. This will sound when the batteries need recharging and the hand control is being operated. It will not sound independently of the hand control being operated. **DO NOT IGNORE THIS WARNING ALARM.** Complete the lifting operation and place the battery on charge (see charging instructions).

10. **Raising and lowering the boom (hydraulic models only):** The raising and lowering of the boom is achieved by a powerful hydraulic ram which is operated by two simple controls. The release valve, which is identified by a black knurled knob, and the pump handle which is a long lever on the side of the hydraulic unit.

To raise the boom, ensure the release valve is closed. The valve is closed by gently turning the knurled knob fully clockwise. When closed, pump the long handle with smooth even strokes for maximum effect. The handle strokes from an upright position through an arc of 90 degrees. Leave the handle in the upright position when not in use.

⚠ WARNING

DO NOT force the handle beyond the upper or lower stops. The hydraulic unit can be rotated to allow the handle to be used from either side of the lift.

To lower the boom, turn the release valve anti-clockwise. The release valve is progressive, the more it is opened the faster the descent. The valve is restricted so even when fully open the descent is controlled. This facility allows for a “hands free” descent.

If the release valve is opened a fraction (a quarter turn) a very slow speed of descent will allow the carer to work “hands free” while assisting or comforting the patient.

REMEMBER to close the release valve before commencing lifting operations. The release valve only requires gentle pressure to open or close.

⚠ WARNING

DO NOT apply excessive force to the release valve, either to close or to open. It is not necessary and will only damage the valve.

11. **Slings:** The selected sling is attached to the spreader bar hooks. Each sling is supplied with instructions which should be followed carefully.

The Oxford Classic Lift range is suitable for patients in the SITTING, SITTING/ RECUMBENT and RECUMBENT positions. The core slings suitable for these lifts are listed as follows:

- Oxford Quickfit
- Oxford Quickfit Deluxe
- Oxford Access
- Oxford Full Back
- Oxford Long Seat
- Oxford Silkfit

When selecting a sling from the Oxford range, be sure to assess the suitability of the type of sling for the patient to be lifted by conducting a thorough risk assessment prior to lifting.

NOTE: For detailed fitting instructions, please refer to the user guide supplied with each sling.

⚠ WARNING

Joerns Healthcare recommends that slings be checked regularly and particularly before each use for signs of fraying or damage. DO NOT use slings that are worn or damaged.

⚠ WARNING

OXFORD RECOMMENDS THE USE OF GENUINE OXFORD PARTS. Oxford sling and lift products are designed to be compatible with one another. For country specific guidance on sling use and compatibility, please refer to the sling label or contact your local market distributor or Joerns Healthcare.

⚠ WARNING

Refer to maximum weight capacity of lift. Sling capacity is limited by the maximum capacity of the lift.

NOTE: For further guidance on sling selection, please visit www.joerns.co.uk

7. Charging Instructions (Electric Models Only)

When the power pack needs charging it is removed from the lift and fitted to an off board charging unit.

Joerns Healthcare recommend an additional battery pack is purchased, so that one pack can be on charge at all times.

1. Remove the power pack from the lift. The pack is retained by a simple latch at the top of the power pack. Lift the latch and the power pack will be released.
2. Fit the power pack to the charging unit. The location and latching of the power pack to the charger is the same system as used on the lift.
3. Plug the charger mains plug into a suitable mains outlet and switch the mains supply ON.
4. Charging is automatic and will fully charge the batteries over a period of four (4) hours.

Note: Even if the charger is left plugged in for extended periods it will not allow the batteries to overcharge.

- a) Green Light - Indicates main power is on.
- b) Yellow Light - Indicates battery is charging.
- c) Battery will be fully charged when yellow light goes off.

Note: It is recommended that the battery be charged immediately upon receipt.

5. To return the lift to service, switch OFF the mains supply and remove the power pack from the charger. Fit the power pack to the lift and make sure the latch holding the pack in place is fully engaged. "Click" in place. The charging of Oxford electric lifts is simple and straight-forward, but it is important to follow the charging instructions closely. Please pay particular attention to the following points, they will help you avoid problems with discharged batteries.

WARNING

- **The battery, charger, hand control and control box are NOT to be opened by unauthorised personnel. (Contact your distributor for warranty and repairs).**
- **DO NOT touch battery/charger terminals.**
- **KEEP the batteries fully charged. Place the battery on charge whenever it is not in use. If it is more convenient to do so, place on charge every night. The charger will not allow the batteries to overcharge.**
- **NEVER run the batteries completely flat. As soon as the audible warning sounds, complete the lifting operation in hand and place on charge.**
- **To avoid possible permanent damage to the battery, the battery should be placed on charge as soon as the display indicates the half empty battery symbol.**
- **NEVER store the battery for long periods without regular charging throughout the storage period.**
- **ALWAYS make sure the mains power to the charger is switched off before connecting or disconnecting the battery pack.**
- **NEVER leave the battery pack connected with the charger mains power switched off.**
- **DO NOT leave the charger switched on with the battery disconnected.**

WARNING

- **DO NOT** use the lift while charging is taking place.
- **CHECK** the lift is not charging before moving as the electrical connection may be damaged.
- **NEVER** disconnect the charger plug by pulling on the cable.
- **BE CAREFUL** not to trip over the charge lead.
- **DO NOT** charge an electric lift in a bathroom or shower room.

8. Maintenance Schedule and Daily Check List

All Oxford products are designed for minimum maintenance, however some safety checks and procedures are required. A schedule of DAILY tasks are detailed below.

Daily checks and a bi-annual service, inspection and test will ensure your lift is kept in optimum safe working condition. A list of spare parts is available upon request.

NOTE: The LOAD TEST and CERTIFICATION should only be carried out by qualified personnel or an authorised service dealer.

Daily Check List:

Joerns Healthcare Ltd strongly recommend the following checks are carried out on a daily basis and before using the lift.

- **ENSURE** the lift moves freely on its castors.
- **ENSURE** the spreader bar is free to rotate and swing. Check the spreader bar is firmly attached to the boom.
- **EXAMINE** the sling hooks on the spreader bar and side suspenders for excessive wear. If in doubt - **DO NOT** use.
- **ENSURE** the sling retaining disks on the spreader bar are fitted and function as intended.
- **ENSURE** the legs open and close correctly.
- Operate the hand control or the hydraulic unit to **CONFIRM** the boom raises and lowers satisfactorily.
- **CONFIRM** the lift is not sounding a low battery alarm when the hand control is operated (electric lifts only). If the alarm sounds, **DO NOT** use and place the battery on charge immediately.
- On electric powered lifts **CHECK** the operation of the emergency stop button.
- On hydraulically operated lifts **CHECK** for hydraulic fluid leakage. Any leakage should be reported to a service engineer immediately and the lift should not be used until it has been checked out.
- On lifts with detachable masts **MAKE SURE** the mast is fully engaged and the locking knob is fully tightened.
- **EXAMINE** slings for fraying or other damage. **DO NOT** use any sling if damaged or if the sling shows signs of wear.
- **EXAMINE** all fixings and fasteners and ensure they are secure prior to use.

Maintenance, Inspection and Test:

Joerns Healthcare Ltd recommend a thorough inspection and test of the Oxford Mobile Hoist lifting accessories, slings etc. is carried out at least every six months. The examination and test should be conducted according to the recommendations and procedures below. Joerns Healthcare recommend maintenance, inspection and certified testing is carried out by authorised service dealers only.

NOTE: These recommendations are in compliance with the requirements of 1998 No. 2307 Health and Safety: The Lifting Operations and Lifting Equipment Regulations 1998. This is a UK regulation. Outside the UK please check your local requirements.

- **SPREADER BAR:** Check the spreader bar for freedom of rotation and swing. Check for wear on the central pivot. Check for presence and condition of the wear washer. Check for firm attachment to the boom. Inspect for excessive wear on the sling hooks and any side suspenders used in conjunction with the spreader bar. Check that the sling retaining disks are fitted and function as intended. Lubricate the main suspension point and central pivot with a light mineral based grease or silicon spray.
- **BOOM:** Check for secure attachment of the boom to the mast. Make sure there is only minimal side movement of the boom and the boom is free to rotate on the boom bearing. Check the boom is centered and does not exhibit signs of damage. Check that the actuator or hydraulic unit mounting on the boom is secure.
- **MAST:** Check the operation of the mast locking device. Make sure the mast fully engages into the socket. Check that the bottom actuator or hydraulic unit mounting is secure.
- **SMART MONITOR (Electric only):** Check the function of the emergency stop button. Inspect the hand control socket for correct fitting. Check functioning of the hand control. Check the redundant controls and confirm they operate as intended.
- **LEG ADJUSTMENT:** Check the leg linkages are secure. Operate the leg adjustment pedals or handset controls (electric leg models only) to confirm smooth opening and closing of the legs. If leg linkages are damaged, they should be replaced. Confirm the leg adjustment mechanism locks/ locates correctly in all open and closed positions. **MAINTENANCE:** Lubricate the leg adjustment mechanism with a light mineral based grease.
NOTE: To ease application of the lubrication, the mast should be removed from the cross member and the grease applied from inside the mast socket (foot pedal operation only).
- **LEG PIVOTS:** Check the leg pivots are secure and the legs pivot freely. Any stiffness must be investigated. Strip out the leg pivots and lubricate with a light mineral based grease. Make sure there is no excessive play in the leg pivots.
- **CASTORS:** Check all castors for firm attachment to the legs. Check for free rotation of the castor and the wheels. Remove any build up of threads, hair or fluff. Lubricate if necessary with a light mineral based grease or silicon spray. Check correct operation of the brakes. Confirm all four castors sit firmly on the ground.
- **ACTUATORS (Electric models only):** The actuators should require no maintenance other than checking for correct operation and listening for unusual noise. Ensure all fixing points are secure. Confirm the anti-crush mechanism is operational (lifting actuator only). If in doubt, DO NOT use and have the unit checked by a qualified person or authorised Oxford Service Provider.

- **EMERGENCY RAISE/LOWER AND EMERGENCY DESCENT:** Check both the redundant raise/lower controls and the mechanical emergency descent function (if fitted) using the maximum safe working load applied to the end of the boom. Please note that the practice of using a spring balance will not correctly check the function of the emergency descent.
- **HYDRAULIC UNIT:** The hydraulic unit should require no maintenance other than checking for correct operation in both directions and leakage of hydraulic fluid. Additionally, check the ram for trapped air/sponginess.
- **BATTERIES (Electric models only):** The batteries are located in the Power Pack and should not require maintenance other than the regular charging as detailed in the charging instructions.
- **CLEANING:** Clean with ordinary soap and water and/or any hard surface disinfectant. Harsh chemical cleaners or abrasives should be avoided as these may damage the surface finish of the lift. Avoid wetting any of the electrical parts. After cleaning, the unit should be thoroughly dried.
- **SLINGS:** Check for wear and fraying. DO NOT use any sling that is damaged, or if the sling shows signs of wear.
- **LOAD TEST:** The load test should be carried out in accordance with the manufacturer's test procedures and the directive detailed in EN ISO 10535:2006 - Annex B - Periodic Inspection B1 - see excerpt below. It is strongly recommended that an authorised service dealer carry out the test.

EN ISO 10535:2006

Annex B

(Informative)

Periodic Inspection

B. 1 Periodic inspection of the hoist should be undertaken at the time intervals stated by the manufacturer, but at least once a year. By periodic inspection is meant a visual examination (particularly of the hoist's load bearing structure and lifting mechanism with attachments, brakes, controls, safety devices and person-support devices) and whatever function tests and maintenance measures may be required, e.g. adjustment of brakes, tightening of fasteners.

Every inspection should include a working load test of one (1) lifting cycle with the maximum load.

- **CERTIFICATION:** An authorised service dealer will issue an examination certificate after satisfactory completion of the thorough examination load test. This certificate will be valid for six months.

END OF LIFE DISPOSAL:

Battery: All batteries in the product and any accompanying accessories must be recycled separately. Batteries should be disposed of in accordance with local or national regulations.

Slings: Slings and associated material accessories should be sorted as combustible waste in accordance with local or national regulations

9. Technical Specifications

The drawings below highlight key dimensions for the Oxford Classic range of lifts. Physical measurements for each lift are referenced overleaf.

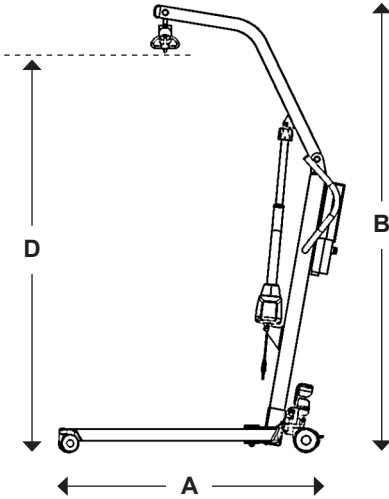


Fig. 22

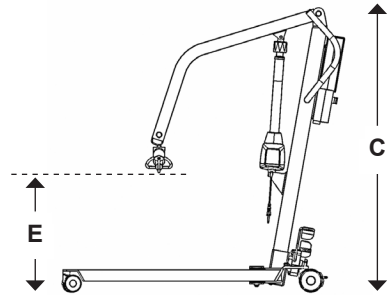


Fig. 23

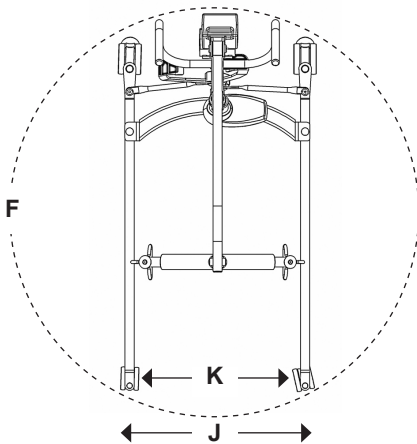


Fig. 24

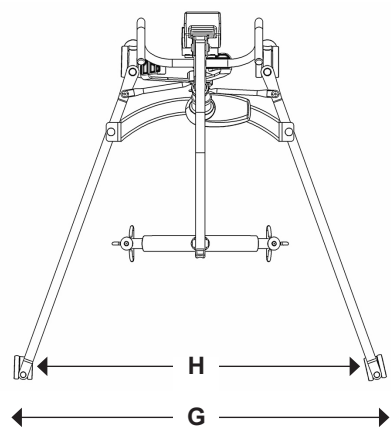


Fig. 25

	MINI 140		MIDI 180	
	Electric	Hydraulic	Electric	Hydraulic
Safe Working Load	140 kgs	140 kgs	180 kgs	180 kgs
Length (A)	1175 mm	1175 mm	1225 mm	1225 mm
Maximum Overall Height (B)	1730 mm	1730 mm	1840 mm	1840 mm
Minimum Overall Height (C)	1230 mm	1230 mm	1240 mm	1240 mm
Spreader Bar Max. Height (D)	1545 mm	1560 mm	1660 mm	1630 mm
Spreader Bar Min. Height (E)	530 mm	540 mm	525 mm	500 mm
Spreader Bar Height at Maximum Reach	1000 mm	1000 mm	1060 mm	1060 mm
Reach at Maximum Height *	420 mm	370 mm	420 mm	470 mm
Reach at Minimum Height *	400 mm	420 mm	440 mm	460 mm
Maximum Reach	565 mm	565 mm	656 mm	656 mm
Turning Radius (F)	1150 mm	1150 mm	1235 mm	1235 mm
Legs Open (External Width) (G)	1060 mm	1060 mm	1170 mm	1170 mm
(Internal Width) (H)	1000 mm	1000 mm	1070 mm	1070 mm
Legs Closed (External Width) (J)	600 mm	600 mm	600 mm	600 mm
(Internal Width) (K)	540 mm	540 mm	540 mm	540 mm
Overall Height of Legs	100 mm	100 mm	100 mm	100 mm
Ground Clearance	25 mm	25 mm	25 mm	25 mm
Front Twin Castors	75 mm	75 mm	75 mm	75 mm
Rear Braked Castors	100 mm	100 mm	100 mm	100 mm

Weights:

Mast & Boom Inc. all fixings	17.5 kgs	17.5 kgs	20.5 kgs	20.5 kgs
Base Assembly	11 kgs	11 kgs	11.5 kgs	11.5 kgs
Assembled Unit	28.5 kgs	28.5 kgs	32 kgs	32 kgs
Battery	2.9 kgs	-	2.9 kgs	-

* Reach = Centre of spreader bar to front of mast

	MAJOR 200		MAXI 180
	Electric	Hydraulic	Electric
Safe Working Load	200 kgs	200 kgs	180 kgs
Length (A)	1300 mm	1300 mm	1315 mm
Maximum Overall Height (B)	1930 mm	1930 mm	2150 mm
Minimum Overall Height (C)	1380 mm	1380 mm	1560 mm
Spreader Bar Max. Height (D)	1715 mm	1705 mm	1970 mm
Spreader Bar Min. Height (E)	565 mm	525 mm	780 mm
Spreader Bar Height at Maximum Reach	1200 mm	1200 mm	1420 mm
Reach at Maximum Height *	610 mm	620 mm	550 mm
Reach at Minimum Height *	515 mm	510 mm	540 mm
Maximum Reach	720 mm	720 mm	730 mm
Turning Radius (F)	1310 mm	1310 mm	1310 mm
Legs Open (External Width) (G)	1230 mm	1230 mm	1230 mm
(Internal Width) (H)	1140 mm	1140 mm	1140 mm
Legs Closed (External Width) (J)	660 mm	660 mm	660 mm
(Internal Width) (K)	580 mm	580 mm	580 mm
Overall Height of Legs	100 mm	100 mm	100 mm
Ground Clearance	15 mm	15 mm	15 mm
Front Twin Castors	75 mm	75 mm	75 mm
Rear Braked Castors	100 mm	100 mm	100 mm

Weights:			
Mast & Boom Inc. all fixings	23 kgs	23 kgs	24 kgs
Base Assembly	19 kgs	19 kgs	19 kgs
Assembled Unit	42 kgs	42 kgs	43 kgs
Battery	2.9 kgs	-	2.9 kgs

* Reach = Centre of spreader bar to front of mast

Electrical Specifications:

Batteries	2 x 12 Volt rechargeable sealed lead acid type
Battery Capacity	2.9 Ampere hours
Charger Rated Input	100-240V AC/24 VDC 50/60 Hz. Max 400MA
Charger Rated Output.....	29.5 VDC. Max 19W

Electric Shock Protection:

Charger	Class II
Lift.....	Internal Power Source

Degree of Shock Protection:

Charger	Type B
Lift.....	Type B

Environmental Conditions:

Outside this environment functionality and safety may be compromised.

Operating:

Temperature	5°C to 40°C
Relative humidity.....	20% to 90% @ 30°C - not condensing
Atmospheric pressure	700 to 1060 hPa
Noise level.....	55 dB

Storage:

Temperature	-10°C to +50°C
Relative humidity.....	20% to 90% @ 30°C - not condensing
Atmospheric pressure	700 to 1060 hPa

IP Ratings:

Control Box	IPX4
Actuator	IPX4
Off Board Charger	IPX5
Battery	IPX5
Handset	IPX5

Duty Cycles:

Actuator	10% (2 min/18 min)
Battery	10% (2 min/18 min)

Key Symbols:

The following symbols are used on the charger, control unit and battery:



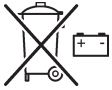
This product is a Medical Device in accordance with EU Medical Device Regulation 2017/745.



Type B equipment, as per EN 60601-1.



Class 2 equipment.



The disposal of batteries should not be mixed with general household waste. Batteries should be disposed of in accordance with local or national regulations.



The disposal of electronics should not be mixed with general household waste.



For indoor use.



ATTENTION, consult accompanying documents.



Refer to the user instructions before use.

WEEE Producers registration number WEE/GG0464RZ

10. Warranty

Joerns Healthcare has an established network of authorised distributors and service agents who will be pleased to handle all of your purchasing, warranty, repair and maintenance enquiries. It is recommended that our products are commissioned by your authorised distributor or service agent.

The distributor or service agent operates the warranty programme, so it is important to keep a record of their name, address and telephone number so they can be contacted should any problem arise. If you are in any doubt as to where your lift was purchased, Joerns Healthcare can trace the supplier if you quote the serial number of the lift.

All warranty claims are subject to the correct use and maintenance in accordance with the user instruction manual provided with each lift. Damage caused by use in unsuitable environmental conditions or failure to maintain the product in accordance with user and service instructions is not covered. Your statutory rights remain unaffected.

REMEMBER: Contact your authorised distributor or service agent for purchases, repairs, servicing and certified maintenance.

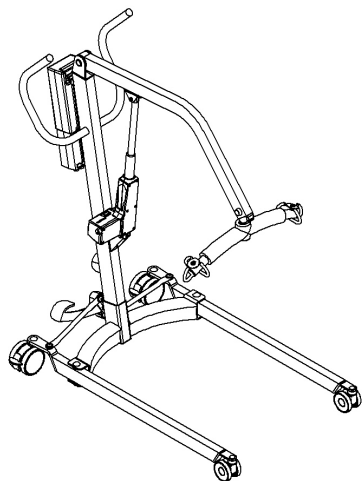
Your distributor:

Sommaire

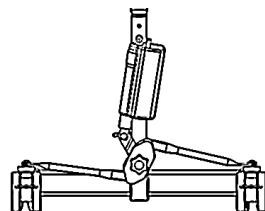
1.	Gamme de lève-personnes Oxford Classic	31
2.	Introduction : À propos de votre lève-personne.....	33
3.	Instructions de montage et de mise en service	34
4.	Consignes de sécurité	38
5.	Moniteur Smart™ et commande manuelle	40
6.	Fonctionnement.....	44
7.	Consignes de recharge (modèles électriques uniquement)	47
8.	Calendrier d'entretien et liste de contrôles quotidiens	49
9.	Spécifications techniques	52
10.	Garantie.....	57

1. Gamme de lève-personnes Oxford Classic

Oxford Mini 140 :



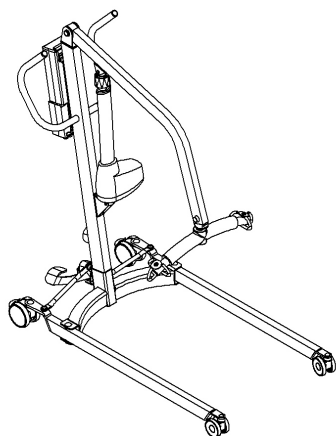
Vérin hydraulique
(Remplace le vérin
sur les modèles
hydrauliques)



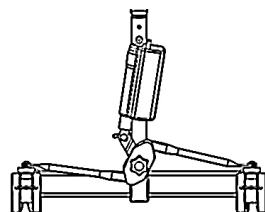
Vérin de pieds
(Remplace la pédale
sur les modèles
électriques)

Fig. 1

Oxford Midi 180 :



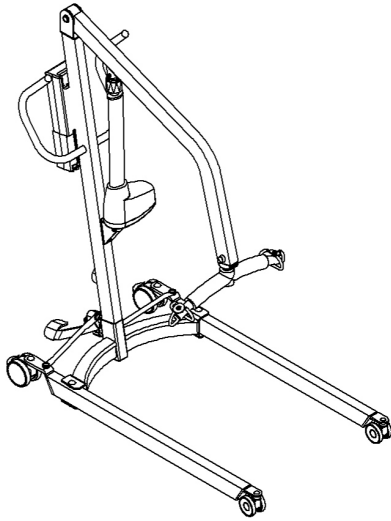
Vérin hydraulique
(Remplace le vérin
sur les modèles
hydrauliques)



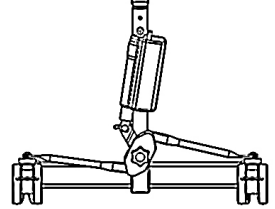
Vérin de pieds
(Remplace la pédale
sur les modèles
électriques)

Fig. 2

Oxford Major 200 :



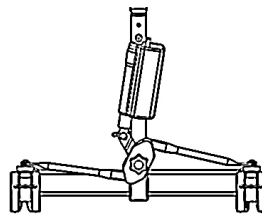
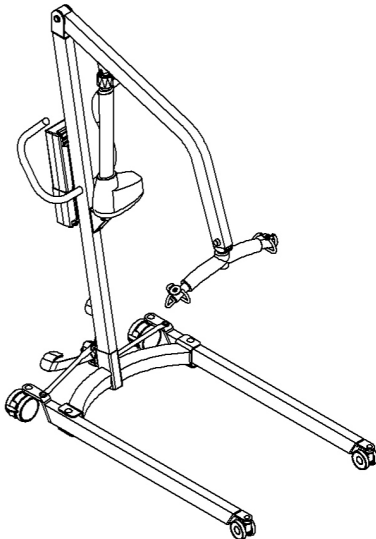
Vérin hydraulique
(Remplace le vérin
sur les modèles
hydrauliques)



Vérin de pieds
(Remplace la pédale
sur les modèles
électriques)

Fig. 3

Oxford Maxi 180 :



Vérin de pieds
(Remplace la pédale
sur les modèles
électriques)

Fig. 4

2. Introduction : À propos de votre lève-personne

Les lève-personnes de la gamme Oxford Classic incluent des options hydrauliques ou mécaniques, à l'exception du Maxi 180 qui est exclusivement électrique. Le présent manuel aborde les deux options.

Chaque lève-personne est intégralement monté, soumis à un essai de charge et certifié avant d'être partiellement démonté pour être emballé. L'emballage utilisé est un carton résistant spécialement prévu à cet effet et couramment utilisé pour le transport national et international.

Documents joints au matériel :

Vous trouverez à l'intérieur du carton une pochette contenant différents documents qu'il convient de conserver soigneusement pour référence ultérieure.

- Certificat d'essai
- Manuel de l'utilisateur

Le CERTIFICAT D'ESSAI est un document important qui doit être conservé dans votre dossier d'assurance. Il a une durée de validité de 6 mois et à l'expiration de ce certificat, l'inspection et l'entretien du lève-personne devront être à nouveau effectués pour les six mois suivants. L'entretien et les tests périodiques LOLER peuvent être effectués par votre revendeur. Pensez à prendre rendez-vous auprès de lui.

AVERTISSEMENT

Avant chaque utilisation du lève-personne, référez-vous à la liste des vérifications quotidiennes fournie dans le manuel.

Le marquage CE :

Les lève-personnes Oxford Classic portent le marquage CE et sont conformes aux directives européennes suivantes :



- Directive relative aux dispositifs médicaux (93/42/CEE)
- Directive CEM (89/336/CEE) (circuits électriques uniquement)
- Directive basse tension (73/23/CEE) (circuits électriques uniquement)

Usage prévu

L'usage prévu de cet appareil de levage consiste à transférer un patient depuis un point à un autre (par ex. depuis un lit vers un fauteuil roulant). Il est déconseillé d'utiliser une sangle pour déplacer un patient sur une longue distance. Les lève-personnes Oxford Classic sont prévus pour les patients en position ASSISE, en position ASSISE/ALLONGÉE et en position ALLONGÉE.

AVERTISSEMENT

Les lève-personnes Oxford doivent être manipulés exclusivement par du personnel soignant formé/compétent.

Durée de vie prévue :

Les lève-personnes Oxford Classic sont conçus et testés pour une durée de vie minimum de sept (7) ans, si les consignes d'utilisation et d'entretien énoncées dans le présent manuel sont respectées. Toute utilisation non conforme aux consignes peut compromettre la durée de vie du matériel.

Signalement d'un incident grave :

Tout incident survenant durant l'utilisation de ce produit et ayant des conséquences pour le patient et/ou le professionnel de santé doit être porté à la connaissance du fabricant du produit ou du distributeur agréé. Si l'incident se produit au sein de l'Union européenne (UE), il doit également être signalé aux autorités compétentes de l'État membre.

3. Instructions de montage et de mise en service

Posez le carton dans un espace dégagé et ouvrez-le délicatement. Le carton contient :

- Châssis principal sur roulettes
- L'ensemble mât/bras
- Pack de batterie (modèles électriques uniquement)
- Commande manuelle (modèles électriques uniquement)
- Pochette contenant les documents
- Chargeur de batterie (modèles électriques uniquement)

1. Sortez tous les composants du carton et posez-les au sol en prenant soin de ne pas endommager la peinture.

⚠ AVERTISSEMENT

Certains composants pèsent lourd et devront être manipulés délicatement. N'hésitez pas à vous faire aider pour porter les composants plus lourds.

2. Enclenchez les freins des roulettes : il suffit pour cela d'abaisser les leviers de frein (Fig. 5).
3. Installez le mât sur le châssis. Le mât se glisse dans le tube de logement rectangulaire situé au centre du châssis. (Fig. 5 - modèle manuel illustré ici).

⚠ AVERTISSEMENT

Faites attention de ne pas vous pincer les doigts. Veillez à ne pas vous pincer les doigts entre l'extrémité du mât et son tube de logement.

Pour éviter tout dommage accidentel à l'actionneur d'ouverture des pieds, ASSUREZ-VOUS que les pieds sont en position ouverte avant d'insérer le mât dans la prise sur les variantes de pieds électriques.

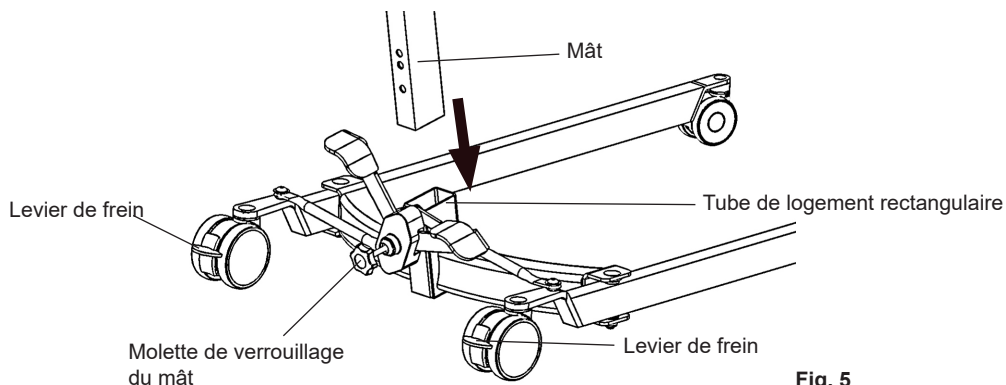


Fig. 5

4. Une fois que le mât est entièrement enfoncé dans son tube de logement, tournez la molette de verrouillage (Fig. 5) à fond.

⚠ AVERTISSEMENT

L'étiquette latérale du mât indique si le mât est correctement inséré.

- 5. Fonctionnement des pieds électriques :** La connexion du vérin au mécanisme de réglage des pieds nécessite quelques réglages mineurs. Basculez délicatement le vérin sur le pivot du pied pour le mettre en position, puis vérifiez que les orifices sont alignés. Insérez la vis à œillet en veillant à ne pas déloger les rondelles d'usure en plastique. Enfin, insérez l'attache à ressort dans l'orifice de la vis à œillet et vérifiez que tout est solidement accroché.

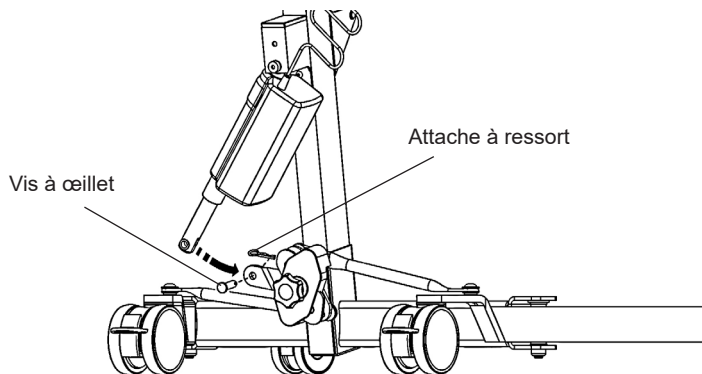


Fig. 6

Fonctionnement des pédales : Si votre lève-personne est doté de pieds actionnés par pédale, relâchez les freins et vérifiez qu'ils s'ouvrent et se ferment correctement en actionnant les pédales (Fig. 7). Tenez le lève-personne par les poignées pour le stabiliser.

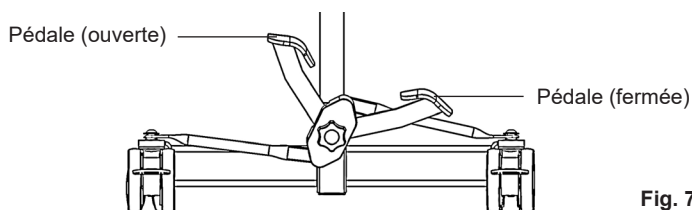


Fig. 7

Modèles électriques uniquement :

6. Accrochez la batterie au boîtier de commande et tournez le bouton rouge d'arrêt d'urgence sur le boîtier de commande (Fig. 8) dans le sens horaire afin de le sortir (position ON).

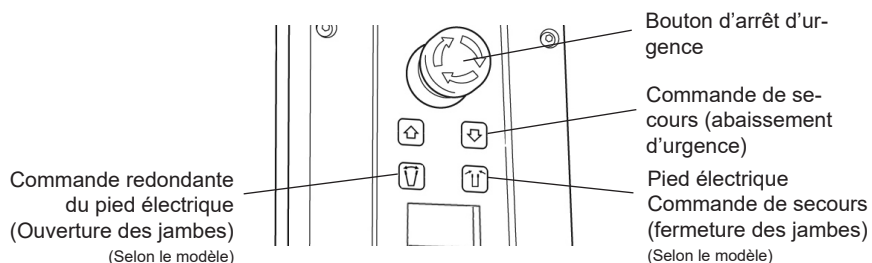


Fig. 8

7. Appuyez sur les boutons Haut et Bas de la commande manuelle (Fig. 9) et vérifiez que le bras s'élève et s'abaisse.

REMARQUE : Si votre lève-personne est doté d'une activation électrique des pieds, appuyez sur les boutons OUVRIR et FERMER de la commande manuelle afin de vérifier que les pieds s'ouvrent et se ferment.

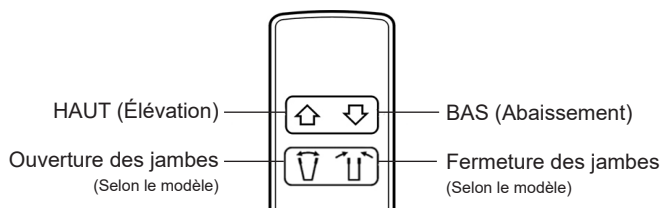


Fig. 9

8. Avant l'utilisation initiale, le compteur d'entretien doit être réinitialisé par un revendeur agréé.
9. Le lève-personne est maintenant prêt à l'emploi.

Modèles hydrauliques uniquement :

6. Fermez la valve de desserrage de l'unité hydraulique (Fig. 10). Pour cela, tournez la molette noire dans le sens horaire jusqu'à ce qu'elle se ferme.

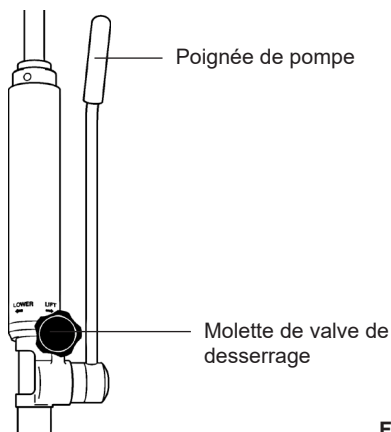


Fig. 10

REMARQUE : Fermez la valve de desserrage à la main et sans forcer.

⚠ AVERTISSEMENT

Ne serrez pas la molette excessivement car cela pourrait endommager la valve.

7. Pompez la poignée (Fig. 10) de l'unité hydraulique et vérifiez que l'action du vérin permet d'élever le bras.
8. Ouvrez entièrement la valve de desserrage en tournant la molette dans le sens anti-horaire et vérifiez que le bras s'abaisse.

REMARQUE : Si le bras n'est soumis à aucune contrainte, il ne descendra pas sous son propre poids. Il faudra alors appuyer dessus pour le faire descendre.

⚠ AVERTISSEMENT

La valve de desserrage est complètement ouverte et rencontre sa butée d'arrêt en moins de deux tours complets de la molette. Une fois la butée d'arrêt atteinte, ne serrez pas la molette excessivement car cela pourrait endommager la valve.

9. Fermez la valve de desserrage en tournant la molette noire dans le sens horaire.
10. Le lève-personne est maintenant prêt à l'emploi.

4. Consignes de sécurité

Veillez lire et suivre les consignes de sécurité ci-dessous. Le fonctionnement et l'utilisation des lève-personnes Oxford sont simples et clairs. Si vous suivez ces quelques consignes de sécurité fondamentales, vous serez en mesure d'utiliser ce lève-personne facilement et sans problèmes.

AVANT D'UTILISER VOTRE LÈVE-PERSONNE « CLASSIC », LISEZ LES INSTRUCTIONS DU MANUEL D'UTILISATION ET VEILLENZ À BIEN LES COMPRENDRE

AVERTISSEMENT: Consigne de sécurité importante sur un danger pouvant entraîner des blessures graves.

ATTENTION: Consigne de précaution pour éviter d'endommager le produit.

REMARQUE: Informations auxquelles il convient de prêter une attention particulière.

⚠ AVERTISSEMENT

- Les lève-personnes Oxford doivent être manipulés exclusivement par du personnel soignant formé/compétent.
- Effectuez TOUJOURS vos préparatifs de levage avant de commencer.
- Inspectez TOUJOURS le matériel avant de l'utiliser (voir la liste des contrôles quotidiens).
- Familiarisez-vous TOUJOURS avec les commandes et les caractéristiques de sécurité d'un lève-personne avant de soulever un patient.
- N'utilisez PAS de sangle sans avoir préalablement vérifié sa compatibilité avec le lève-personne.
- Vérifiez TOUJOURS que la sangle utilisée convient pour le patient concerné et qu'elle a la taille et la capacité requises.
- N'utilisez JAMAIS une sangle effilochée ou endommagée.
- Placez TOUJOURS la sangle conformément aux consignes fournies (manuel de l'utilisateur).
- Vérifiez TOUJOURS que le poids du patient ne dépasse pas la charge de service maximale du lève-personne.
- Procédez TOUJOURS aux opérations de levage conformément aux instructions énoncées dans le manuel d'utilisation.
- Ne débranchez JAMAIS une option de commande ou de sécurité du lève-personne qui vous semble superflue.
- Actionnez TOUJOURS délicatement les touches de commande ou de sécurité. Toutes les commandes sont faciles à actionner et ne nécessitent pas d'utiliser une force excessive. Si une commande résiste, il y sûrement une raison. Forcer sur la commande ne fera qu'aggraver la situation ou endommager le lève-personne et par conséquent compromettre la sécurité. En cas de doute, contactez votre service d'entretien Oxford agréé ou Joerns Healthcare.

⚠ AVERTISSEMENT

- **NE soulevez PAS un patient si les freins des roulettes sont serrés.**
- **N'essayez PAS de manœuvrer le lève-personne en poussant le mât, le bras ou le patient.**
- **Manipulez TOUJOURS le lève-personne par la poignée prévue à cet effet. N'appliquez PAS de contrainte latérale supplémentaire sur le bras ou les pieds lors de la manipulation du lève-personne.**
- **Amenez TOUJOURS le patient à la position la plus confortable et la plus basse avant de le transférer.**
- **Ne déplacez PAS le lève-personne chargé à une vitesse dépassant une allure de marche lente (3 km/h ou 0,8 m/s).**
- **NE déplacez PAS le lève-personne sur un terrain inégal ou accidenté, surtout si le lève-personne est chargé.**
- **N'essayez PAS de pousser ou de tirer le lève-personne chargé par dessus un obstacle que les roulettes ne peuvent pas franchir facilement.**
- **NE faites PAS descendre le lève-personne marche par marche, qu'il soit chargé ou à vide.**
- **N'essayez PAS de déplacer le lève-personne chargé sur une pente dont l'inclinaison dépasse le rapport 1:12 (environ 5 degrés). Joerns Healthcare préconise la présence d'un second assistant lors du déplacement d'un patient sur une pente.**
- **N'immobilisez PAS le lève-personne chargé sur une surface inclinée.**
- **N'utilisez PAS un lève-personne électrique dans la douche.**
- **Ne rechargez pas un lève-personne électrique dans une salle de bains ou une salle d'eau.**
- **NE soulevez JAMAIS un patient si vous n'êtes pas qualifié, ni compétent en la matière.**
- **Votre lève-personne est destiné au lavage des patients. NE l'utilisez JAMAIS et ne laissez JAMAIS personne l'utiliser à d'autres fins.**
- **La gamme Oxford Classic n'est pas prévue pour une utilisation ou un entreposage continu dans un environnement humide.**
- **La charge MINIMALE requise pour abaisser manuellement le lève-personne à l'aide de la fonction d'abaissement mécanique d'urgence est de 30 kg (le cas échéant).**

5. Moniteur Smart et commande manuelle

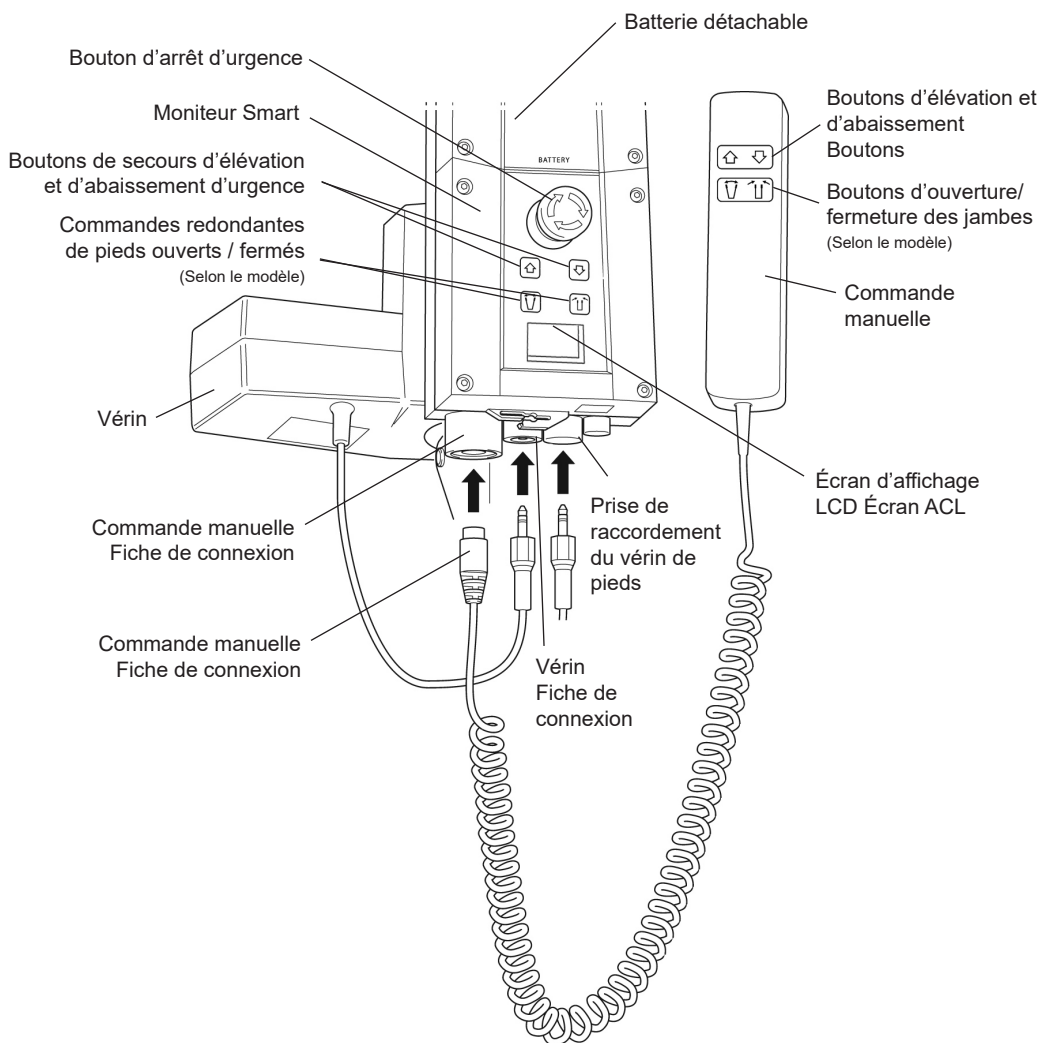


Fig. 11

Utilisation prévue :

Le moniteur Oxford Smart est un système de commande prévu pour les lève-personnes Oxford Mobile. Le moniteur Smart enregistre de précieuses données de service relatives à l'utilisation du lève-personne, lesquelles peuvent être consultées à tout moment. Ces informations d'entretien comprennent :

- Nombre de cycles de levage des patients
- Charge de travail totale réalisée par le vérin
- Nombre de levages effectués en surcharge (tentatives de levage avec une charge supérieure à la charge maximale autorisée)
- Nombre de jours écoulés depuis le dernier entretien

Le moniteur Oxford Smart contient un microprocesseur qui permet de lire les données de service sur l'écran d'affichage LCD embarqué.

Caractéristiques :

- Collecte des données dans la boîte de commande et affichage des données sur l'écran LCD
- Compteur d'opérations
- Compteur de cycles intelligent
- Indicateur d'entretien
- Indicateur d'intervalle entre 2 entretiens
- Informations sur l'utilisation en surcharge
- Indicateur de batterie à 3 témoins

Avantages :

- Sécurité renforcée pour le patient et l'assistant
- Données de service précises sur simple activation d'un bouton
- Durée de vie prolongée du produit
- Simplicité d'entretien pour les ingénieurs et les techniciens

Écran d'affichage LCD :

Le moniteur Oxford Smart permet l'affichage d'informations sur l'écran LCD. Il peut, par exemple, afficher le nombre total de cycles de levage, la charge de travail totale effectuée, les surcharges et le nombre de jours écoulés depuis le dernier entretien. Ces informations permettent de rapidement évaluer l'état du vérin du lève-personne (Fig. 12).

Ces informations sont accessibles si vous appuyez une demi-seconde sur le bouton « LEVER » du dispositif mobile ou le bouton de commande redondant « LEVER » du moniteur Oxford Smart.

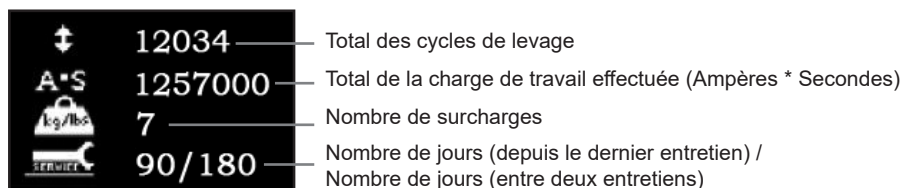


Fig. 12

Information sur l'entretien et l'utilisation :



Fig. 13

Quand arrive le moment de faire faire l'entretien, le symbole Service s'affiche à l'écran (Fig. 13). De plus, lorsque la commande manuelle est activée, le moniteur Smart émet un signal sonore pour attirer l'attention de l'utilisateur sur le fait que l'entretien arrive à échéance.

Le symbole Service s'affichera à l'écran à chaque fois que les touches d'élévation ou d'abaissement sont actionnées sur la commande manuelle. Lorsque le symbole Service s'affiche, contactez immédiatement votre service d'entretien agréé pour prendre rendez-vous.



Fig. 14

Si le lève-personne s'arrête en raison d'une surcharge (la charge à lever est supérieure à la charge maximale autorisée), le symbole de surcharge s'affiche sur l'écran LCD (Fig. 14) et le fonctionnement du lève-personne est interrompu jusqu'à ce que l'excès de charge ait été supprimé.

⚠ AVERTISSEMENT

Après la détection de surcharge par le lève-personne, Joerns Healthcare recommande d'effectuer TOUTES les vérifications de routine avant de réutiliser l'appareil (vous trouverez la liste des vérifications quotidiennes dans le manuel d'utilisation fourni avec le lève-personne). Joerns Healthcare vous recommande également de contacter votre service d'entretien agréé.

Commandes de secours embarquées :

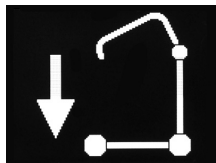


Fig. 15

Les commandes de secours embarquées permettent de lever ou d'abaisser le lève-personne en situation d'urgence (Fig. 15).



Fig. 16

Si votre lève-personne comprend une fonction de positionnement des jambes intégrée, les commandes de fermeture et ouverture des jambes seront inutiles. (Fig. 16).

Niveau de batterie :



Fig. 17

Le symbole de la batterie pleine indique que la batterie est à pleine capacité et le lève-personne est prêt à l'emploi (Fig. 17).

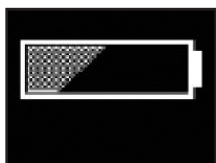


Fig. 18

Le symbole de la batterie à moitié pleine indique qu'il est nécessaire de recharger la batterie (Fig. 18).

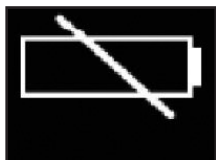


Fig. 19

Le symbole de la batterie vide indique que la batterie est complètement déchargée et doit être mise en charge immédiatement (Fig. 19).

⚠ AVERTISSEMENT

Pour éviter tout endommagement irréversible de la batterie, il convient de mettre celle-ci en charge dès que l'écran affiche le symbole de la batterie à moitié pleine (Fig. 18).

6. Fonctionnement

⚠ AVERTISSEMENT

Les lève-personnes Oxford doivent être manipulés exclusivement par du personnel soignant formé/compétent.

1. **Réglage des pieds** : Les pieds des lève-personnes Oxford Classic peuvent être écartés afin de faciliter l'accès aux fauteuils, fauteuils roulants ou autres. Lors des transferts et pour permettre le passage du lève-personne par des embrasures de porte étroites, les pieds doivent être ramenés en position fermée.

Fonctionnement des pieds électriques : Appuyez sur le bouton correspondant de la commande manuelle pour ouvrir ou fermer les pieds du lève-personne. Vous pouvez également utiliser les touches de fonction redondantes du boîtier de commande, au-dessus de l'écran d'affichage LCD.

Fonctionnement des pédales : Appuyez sur les pédales situées au bas et à l'arrière du mât. Pour ouvrir les pieds, enfoncez la pédale GAUCHE. Pour fermer les pieds, enfoncez la pédale DROITE.

Dans les deux cas, cet ajustement peut être effectué avec le patient suspendu.

2. **Roulettes et freinage** : Le lève-personne est doté de deux roulettes freinées qui peuvent servir de frein d'immobilisation. Pendant le levage, les roulettes doivent rester libres de bouger et les freins ne doivent pas être enclenchés. Cela permet au lève-personne de se positionner dans son centre de gravité. Si les freins sont enclenchés, le patient sera balancé vers le centre de gravité, ce qui peut s'avérer déconcertant et désagréable.
3. **Sens de déplacement (vers l'avant)** : La gamme Classic de lève-personnes mobiles est prévue pour un déplacement vers l'avant à l'aide des poignées de poussée intégrées.

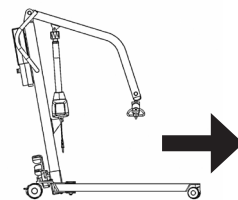


Fig. 20

4. **Dispositif de déplacement linéaire (le cas échéant)** : L'une des roulettes arrière est dotée d'un dispositif de déplacement linéaire. Pour enclencher le dispositif, il suffit de basculer la barre en 'U' au-dessus de la roulette arrière. Le dispositif s'enclenche automatiquement dès que vous commencez à vous déplacer.
5. **Élévation et abaissement du bras (modèles électriques)** : Le mouvement du bras se fait par l'intermédiaire d'un puissant vérin électrique actionné par une unité de commande très simple. La commande manuelle possède deux boutons désignés par des flèches HAUT et BAS. Le vérin s'arrête automatiquement dès qu'il a atteint sa limite de déplacement dans l'une ou l'autre direction. La commande manuelle se loge dans le réceptacle situé au bas du boîtier de commande. La commande manuelle possède une bande magnétique qui permet de la ranger sur le mât ou le bras pendant les périodes de non-utilisation.
6. **Bouton d'arrêt d'urgence (modèles électriques)** : Le bouton rouge d'arrêt d'urgence est situé sur le boîtier de commande. Il suffit de l'enfoncer pour l'actionner. Cela a pour effet de couper l'alimentation du lève-personne. Pour réinitialiser l'arrêt d'urgence, tournez le bouton dans le sens horaire, puis relâchez-le.

7. **Commandes de secours** : Tous les lève-personnes Oxford Classic sont équipés de boutons d'élévation et d'abaissement sur le boîtier de commande. Ils sont situés sous le bouton d'arrêt d'urgence et peuvent servir à élever / abaisser le patient en cas de panne de la commande manuelle.
8. **Abaissement d'urgence** : En cas de rupture totale d'alimentation, le vérin électrique est doté d'un dispositif d'abaissement mécanique (RED BOSS). Pour fonctionner, le dispositif doit être tourné manuellement dans le sens horaire. Le bras se met à descendre lentement. Répétez jusqu'à ce que le patient soit complètement redescendu.

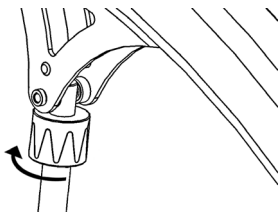


Fig. 21

⚠ AVERTISSEMENT

Le dispositif d'abaissement d'urgence doit être utilisé uniquement en cas de coupure d'électricité. Il n'est pas prévu pour abaisser les patients de manière répétée.

⚠ AVERTISSEMENT

En cas d'utilisation de cette fonctionnalité, il est IMPÉRATIF de faire contrôler par la suite le lève-personne par un technicien compétent.

⚠ AVERTISSEMENT

L'utilisation continue du lève-personne après avoir utilisé la fonction d'abaissement d'urgence peut compromettre le fonctionnement de l'appareil et la sécurité des patients.

9. **Batteries** : Le lève-personne est doté d'une ALARME BASSE TENSION pour éviter que les batteries ne se déchargent totalement. L'avertisseur retentit lorsque vous actionnez la commande manuelle alors que les batteries sont faiblement chargées. Il ne sonne que si la commande manuelle est actionnée. NE PASSEZ PAS OUTRE CETTE ALARME D'AVERTISSEMENT. Terminez votre manœuvre, puis rechargez les batteries (voir les consignes de recharge).
10. **Élévation et abaissement du bras (modèles hydrauliques)** : L'élévation et l'abaissement du bras sont exercés par un puissant vérin hydraulique qui fonctionne grâce à deux commandes simples. La valve de desserrage, identifiée par une molette noire, et la pompe manuelle, semblable à un levier placé le long de l'unité hydraulique.
- Pour élever le bras, vérifiez que la valve de desserrage est fermée. Pour fermer la valve, tournez la molette délicatement et à fond dans le sens horaire. Une fois la valve fermée, pompez la poignée d'un geste souple et régulier pour un effet optimal. L'amplitude de déplacement de la poignée depuis la position verticale est de 90 degrés. Lorsqu'elle n'est pas utilisée, rangez la poignée en position verticale.

⚠ AVERTISSEMENT

NE forcez PAS la poignée au-delà des butées supérieure et inférieure. L'unité hydraulique peut pivoter pour permettre l'activation de la poignée des deux côtés du lève-personne.

Pour abaisser le bras, tournez la valve de desserrage dans le sens anti-horaire. La valve de desserrage a une action progressive : plus elle est ouverte, plus la descente s'effectue rapidement. Cependant, même lorsque la valve est entièrement ouverte, la descente se fait de manière contrôlée. Cette caractéristique permet une descente 'mains libres'.

Si la valve de desserrage est à peine ouverte (un quart de tour), la descente très lente permettra au personnel soignant de travailler en mode 'mains libres' et d'assister le patient.

PENSEZ à fermer la valve de desserrage avant de démarrer l'opération de lavage. L'ouverture et la fermeture de la valve de desserrage ne nécessite aucune force.

AVERTISSEMENT

Ne serrez pas excessivement la molette de la valve de desserrage, que ce soit pour la fermer ou pour l'ouvrir. Cela est totalement inutile et ne ferait qu'endommager la valve.

11. **Sangles:** La sangle sélectionnée est accrochée aux crochets de la barre d'écartement. Chaque sangle est fournie avec des consignes qu'il convient de respecter scrupuleusement.

La gamme de lève-personnes Oxford Classic est prévue pour les patients en position ASSISE, en position ASSISE/ALLONGÉE et en position ALLONGÉE. Les sangles compatibles avec ce matériel sont énumérées ci-dessous :

- Oxford Quickfit
- Oxford Quickfit Deluxe
- Oxford Access
- Oxford Full Back
- Oxford Long Seat
- Oxford Silkfit

Avant de sélectionner une sangle de la gamme Oxford, procédez à une évaluation des risques afin de déterminer quel type de sangle convient au patient.

REMARQUE : Pour obtenir les consignes de montage détaillées, consultez le manuel d'utilisation fourni avec la sangle.

AVERTISSEMENT

Joerns Healthcare vous recommande de vérifier régulièrement, et en particulier avant chaque utilisation, que les sangles ne sont ni effilochées, ni abîmées. N'utilisez PAS des sangles qui sont usées ou endommagées.

AVERTISSEMENT

OXFORD RECOMMANDE D'UTILISER DES PIÈCES OXFORD. Les sangles et les lève-personnes Oxford ont été conçus pour être compatibles les uns avec les autres. Pour connaître les directives relatives à l'utilisation des sangles et à leur compatibilité spécifiques à votre pays, reportez-vous à l'étiquette de la sangle ou contactez votre revendeur local ou Joerns Healthcare.

AVERTISSEMENT

Respectez la charge maximale du lève-personne. La charge de la sangle est limitée par la charge maximale admissible du lève-personne.

REMARQUE : Pour plus de conseils sur la sélection d'une sangle, rendez-vous sur www.joerns.co.uk

7. Consignes de recharge (modèles électriques uniquement)

Lorsque le bloc d'alimentation nécessite d'être chargé, retirez-le du lève-personne et insérez-le dans le chargeur non transporté.

Joerns Healthcare recommande d'acheter un pack de batteries supplémentaire afin d'avoir toujours à disposition un pack chargé.

1. Retirez le bloc d'alimentation du lève-personne. Le bloc est maintenu en place par un simple loquet fixé en haut. Il suffit de soulever le loquet pour libérer le bloc d'alimentation.
2. Insérez le bloc d'alimentation dans le chargeur. L'orientation et l'enclenchement du bloc d'alimentation dans le chargeur sont les mêmes que lorsqu'il est branché dans le lève-personne.
3. Branchez la fiche du chargeur sur une prise de courant, puis mettez le chargeur SOUS TENSION.
4. La charge est automatique et se poursuivra sur une période de quatre (4) heures jusqu'à recharge complète des batteries.

Remarque : même si le chargeur reste branché pendant une période plus longue que nécessaire, la charge des batteries s'interrompt dès que celles-ci sont pleines. Il n'y a pas de risque de surcharge.

- a) Témoin vert - Chargeur sous tension.
- b) Témoin jaune - Charge en cours.
- c) L'extinction du témoin jaune indique que la batterie est entièrement chargée.

Remarque : Il est conseillé de charger la batterie dès réception de celle-ci.

5. Pour réutiliser le lève-personne, débranchez la fiche du chargeur et retirez le bloc d'alimentation du chargeur. Insérez le bloc d'alimentation dans le lève-personne. Vérifiez que le loquet qui maintient le bloc en place est bien enclenché. S'il est bien enclenché, il doit émettre un clic. Le processus de charge des lève-personnes électriques Oxford est simple, mais il est important de suivre attentivement les consignes énoncées. Prêtez une attention particulière aux points ci-dessous pour éviter tout problème de batteries déchargées.

AVERTISSEMENT

- **La batterie, le chargeur, la commande manuelle et la boîte de commande NE doivent PAS être ouverts par du personnel non autorisé. (Contactez votre distributeur pour toute information sur la garantie et les réparations).**
- **NE touchez PAS les bornes de la batterie/du chargeur.**
- **VEILLEZ à ce que les batteries restent en permanence complètement chargées. Pendant les périodes de non-utilisation du lève-personne, mettez la batterie en charge. Vous pouvez également mettre la batterie en charge la nuit. Le chargeur interrompt automatiquement la recharge dès que les batteries sont pleines. Il n'y a pas de risque de surcharge**
- **NE laissez JAMAIS les batteries se décharger complètement. Dès que l'avertisseur sonore retentit, terminez le levage en cours, puis mettez-les batteries en charge.**
- **Pour éviter tout endommagement irréversible de la batterie, il convient de mettre celle-ci en charge dès que l'écran affiche le symbole de la batterie à moitié pleine.**

AVERTISSEMENT

- N'entreposez **JAMAIS** la batterie pendant une longue période sans le recharger régulièrement.
- Veillez à **TOUJOURS** mettre le chargeur hors tension avant de brancher ou de débrancher le bloc d'alimentation.
- Ne laissez **JAMAIS** le bloc d'alimentation branché au chargeur si ce dernier est hors tension.
- **NE LAISSEZ PAS** le chargeur sous tension si la batterie est débranchée.
- **N'UTILISEZ PAS** le lève-personne pendant qu'il est en charge.
- **VÉRIFIEZ** que le lève-personne n'est pas en charge avant de le déplacer afin d'éviter tout endommagement électrique.
- **NE DÉBRANCHEZ JAMAIS** le chargeur en tirant sur le câble.
- **VEILLEZ** à ne pas trébucher sur le câble du chargeur.
- **NE RECHARGEZ PAS** un lève-personne électrique dans une salle de bains ou une salle d'eau.

8. Calendrier d'entretien et liste de contrôles quotidiens

Tous les produits Oxford ont été conçus pour nécessiter un entretien minimum. Cependant, des contrôles et procédures de sécurité sont requis. Une liste des contrôles quotidiens est présentée ci-dessous.

Les contrôles quotidiens, une révision, une inspection et un test bi-annuel sont la garantie d'un état de fonctionnement optimal du lève-personne. Une liste des pièces détachées est disponible sur demande.

REMARQUE : L'ESSAI DE CHARGE et la CERTIFICATION doivent être effectués par du personnel qualifié ou un revendeur agréé.

Liste de contrôles quotidiens :

Joerns Healthcare Ltd recommande vivement d'effectuer les inspections suivantes, tous les jours et avant d'utiliser le lève-personne.

- **VÉRIFIEZ** que le lève-personne se déplace librement sur ses roulettes.
- **VÉRIFIEZ** que rien n'entrave le mouvement de rotation et de pivot de la barre d'écartement. Vérifiez que la barre d'écartement est fermement arrimée au bras.
- **INSPECTEZ** l'état des crochets de la sangle sur la barre d'écartement et les supports latéraux afin de déceler tout signe d'usure excessive. En cas de doute - **N'UTILISEZ PAS** la sangle.
- **VÉRIFIEZ** que les bagues de retenue de la sangle sur la barre d'écartement sont bien installées et fonctionnent convenablement.
- **VÉRIFIEZ** que les pieds s'ouvrent et se ferment correctement.
Actionnez la commande manuelle ou l'unité hydraulique pour **VÉRIFIER** que le bras se lève et se baisse normalement.
- **VÉRIFIEZ** que l'avertisseur de basse tension ne se déclenche pas lorsque vous actionnez la commande manuelle (modèles électriques uniquement). Si l'avertisseur sonore retentit, **N'UTILISEZ PAS** le lève-personne et chargez immédiatement les batteries.
- Sur les modèles électriques, **VÉRIFIEZ** le bon fonctionnement du bouton d'arrêt d'urgence.
- Sur les modèles hydrauliques, **VÉRIFIEZ** qu'il n'y a aucune fuite de liquide hydraulique. Toute fuite doit être immédiatement signalée au technicien d'entretien et le lève-personne remis jusqu'à ce qu'il ait fait l'objet d'une inspection approfondie.
- Pour les modèles dotés d'un mât amovible, **VÉRIFIEZ** que le mât est bien logé dans son réceptacle et que le bouton de verrouillage est serré.
INSPECTEZ la sangle afin de vous assurer qu'elle n'est pas effilochée ou endommagée. **N'utilisez PAS** une sangle endommagée ou montrant des signes d'usure.
- **INSPECTEZ** toutes les fixations et vérifiez qu'elles sont bien serrées avant utilisation.

Entretien, contrôle et test :

Joerns Healthcare Ltd recommande d'effectuer une inspection approfondie et de tester les sangles, accessoires, etc. des lève-personnes tous les six mois. Le contrôle et le test doivent être effectués conformément aux recommandations et procédures ci-dessous. Joerns Healthcare recommande de confier l'entretien, le contrôle et le test à un revendeur/technicien agréé.

REMARQUE : Ces recommandations sont conformes aux prescriptions de la réglementation 1998 n° 2307 Hygiène et sécurité : Opérations de levage et équipements de levage de 1998. Il s'agit d'une réglementation britannique. En dehors du Royaume-Uni, veuillez vous renseigner sur les réglementations nationales.

- **BARRE D'ÉCARTEMENT :** Vérifiez que rien n'entrave le mouvement de rotation et de pivot de la barre d'écartement. Vérifiez que le pivot central ne montre pas des signes d'usure. Vérifiez la présence et le bon état de la rondelle d'usure. Vérifiez que le bras est solidement fixé. Inspectez les crochets de la sangle et les éventuels supports latéraux utilisés avec la barre d'écartement afin de déceler tout signe d'usure excessive. Vérifiez que les bagues de retenue de la sangle sont bien installées et fonctionnent convenablement. Lubrifiez le point de suspension principal et le pivot central avec une graisse légèrement minérale ou un spray de silicone.
- **BRAS :** Vérifiez que le bras est solidement arrimé au mât. Assurez-vous que le mouvement latéral du bras est minime et que le bras tourne librement sur son roulement. Vérifiez que le bras est centré et ne présente aucun signe d'endommagement. Vérifiez que le montage du vérin ou de l'unité hydraulique sur le bras est correct.
- **MÂT :** Vérifiez le fonctionnement du dispositif de verrouillage du mât. Assurez-vous que le mât est complètement inséré dans son tube de logement. Vérifiez le montage du vérin inférieur ou de l'unité hydraulique.
- **MONITEUR SMART (Modèle électrique uniquement) :** Vérifiez le bon fonctionnement du bouton d'arrêt d'urgence. Vérifiez le branchement de la prise de la commande manuelle. Vérifiez le fonctionnement de la commande manuelle. Vérifiez que les commandes de secours fonctionnent correctement.
- **RÉGLAGE DES PIEDS :** Vérifiez que les connexions des pieds sont sécurisées. Actionnez les pédales d'ajustement des pieds ou les touches de la commande manuelle (modèles dotés de pieds électriques uniquement) afin de vérifier que les pieds s'ouvrent et se ferment sans entrave. Si les connexions des pieds sont endommagées, faites-les remplacer. Vérifiez que le mécanisme d'ajustement des pieds se verrouille correctement en position ouverte et fermée.
ENTRETIEN : Lubrifiez le mécanisme d'ajustement des pieds à l'aide d'une graisse légèrement minérale.

REMARQUE : Pour faciliter l'application du lubrifiant, sortez le mât et appliquez la graisse à l'intérieur du tube de logement du mât (modèles à pédales uniquement).

- **PIVOTS DES PIEDS :** Vérifiez que les pivots des pieds sont fermement tenus en place et que les pieds pivotent librement. Toute résistance est anormale et doit faire l'objet d'une inspection. Sortez les pivots des pieds et lubrifiez-les à l'aide d'une graisse légèrement minérale. Évitez la présence de jeu excessif dans les pivots des pieds.
- **ROULETTES :** Vérifiez que toutes les roulettes sont solidement fixées aux pieds. Vérifiez que les roulettes tournent sans entrave. Éliminez toute éventuelle boule de poils et/ou de peluchage. Lubrifiez si nécessaire avec une graisse légèrement minérale ou un spray de silicone. Vérifiez le bon fonctionnement des freins. Vérifiez que les quatre roulettes reposent fermement au sol.

- **VÉRINS (modèles électriques uniquement)** : Les vérins ne nécessitent normalement aucun entretien, si ce n'est de vérifier leur bon fonctionnement et de s'assurer qu'ils n'émettent aucun bruit inhabituel. Vérifiez que tous les points de fixation sont bien arrimés. Vérifiez le fonctionnement du mécanisme anti-écrasement (vérin de levage uniquement). En cas de doute, n'utilisez PAS l'appareil et faites inspecter le lève-personne par une personne qualifiée ou un service d'entretien Oxford agréé.
- **ÉLÉVATION/ABAISSEMENT D'URGENCE** : Vérifiez les commandes redondantes d'élévation et d'abaissement et la fonction de descente mécanique d'urgence (le cas échéant) en appliquant la charge maximale autorisée à l'extrémité du bras. À noter que la pratique consistant à utiliser une balance à ressort n'est pas efficace pour vérifier la fonction de descente d'urgence.
- **UNITÉ HYDRAULIQUE** : L'unité hydraulique ne nécessite normalement aucun entretien, si ce n'est de vérifier son bon fonctionnement dans les deux sens et l'absence de fuite de liquide hydraulique. Vérifiez également le vérin pour déceler toute éventuelle présence d'air/spongiosité.
- **BATTERIES (modèles électriques uniquement)** : Les batteries se logent dans le bloc d'alimentation et ne nécessitent aucun entretien à l'exception des recharges régulières qu'il convient d'effectuer conformément aux consignes énoncées à cet égard.
- **NETTOYAGE** : Nettoyez au savon ordinaire et à l'eau et /ou avec un désinfectant pour surfaces dures. Les produits de nettoyage chimiques corrosifs ou les abrasifs doivent être évités, car ils peuvent endommager le fini du lève-personne. Évitez de mouiller les pièces électriques. Après le nettoyage, l'appareil doit être soigneusement séché.
- **SANGLES** : Inspectez la sangle afin de déceler tout signe d'effilochage et d'usure. N'utilisez PAS une sangle endommagée ou montrant des signes d'usure.
- **ESSAIS DE CHARGE** : L'essai de charge doit être réalisé selon les exigences et procédures d'essai énoncées par le fabricant et détaillées dans la norme EN ISO 10535:2006 - Annexe B - Contrôle périodique B1, dont un extrait est fourni ci-dessous. Il est vivement recommandé de faire appel à un service agréé pour la réalisation de l'essai.

EN ISO 10535:2006

Annexe B

(Texte fourni à titre informatif)

Contrôle périodique

B. 1 Le contrôle périodique du lève-personne doit être effectué aux intervalles spécifiés par le fabricant et au moins une fois par an. Le contrôle périodique consiste en une inspection visuelle (en particulier de la structure portante et du mécanisme de levage du lève-personne, ainsi que les accessoires, freins, commandes, dispositifs de sécurité et dispositif de soutien), ainsi que tous les essais de fonction et les mesures de maintenance éventuellement requis, comme le réglage des freins et le serrage des éléments de fixation et de visserie.

Chaque inspection doit prévoir un essai de charge en situation réelle d'un (1) cycle de levage à charge maximale.

- **CERTIFICATION** : Le certificat d'essai sera émis par un centre agréé après la réalisation satisfaisante des essais de charge. Ce certificat aura une validité de six mois.

MISE AU REBUT EN FIN DE VIE :

Batterie : Les batteries présentes dans le produit et tout accessoire connexe doivent être recyclés séparément. Les batteries doivent être éliminées conformément aux réglementations locales et nationales en vigueur.

Sangles : Les sangles et accessoires connexes doivent être éliminés avec les déchets combustibles conformément aux réglementations locales et nationales en vigueur.

9. Spécifications techniques

Le dessin ci-dessous présente les dimensions de la gamme de lève-personnes Oxford Classic. Les mesures chiffrées de chaque lève-personne sont indiquées au verso.

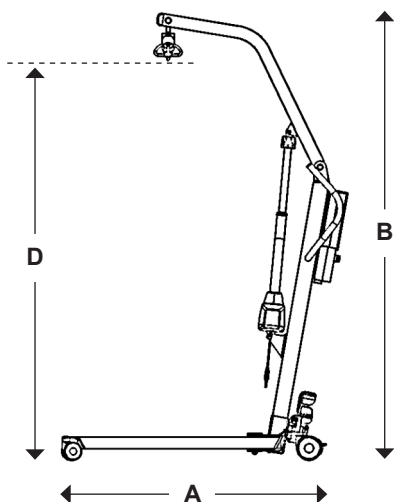


Fig. 22

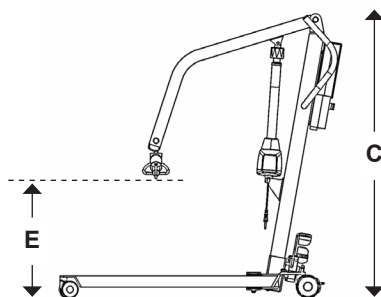


Fig. 23

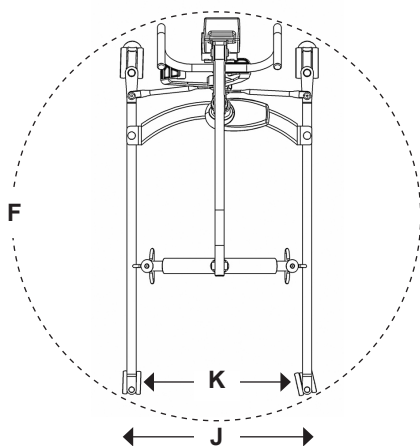


Fig. 24

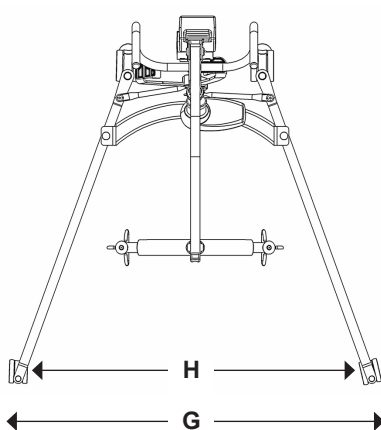


Fig. 25

	MINI 140		MIDI 180	
	Électrique	Hydraulique	Électrique	Hydraulique
Charge maximale d'utilisation	140 kg	140 kg	180 kg	180 kg
Longueur (A)	1175 mm	1175 mm	1225 mm	1225 mm
Hauteur maximale hors tout (B)	1730 mm	1730 mm	1840 mm	1840 mm
Hauteur minimale hors tout (C)	1230 mm	1230 mm	1240 mm	1240 mm
Barre d'écartement Max. Hauteur (D)	1545 mm	1560 mm	1660 mm	1630 mm
Barre d'écartement Min. Hauteur (E)	530 mm	540 mm	525 mm	500 mm
Hauteur de barre d'écartement à portée maximale	1000 mm	1000 mm	1060 mm	1060 mm
Portée à hauteur maximale *	420 mm	370 mm	420 mm	470 mm
Portée à hauteur minimale *	400 mm	420 mm	440 mm	460 mm
Portée maximale	565 mm	565 mm	656 mm	656 mm
Rayon de braquage (F)	1150 mm	1150 mm	1235 mm	1235 mm
Pieds ouverts (Largeur externe) (G) (Largeur interne) (H)	1060 mm 1000 mm	1060 mm 1000 mm	1170 mm 1070 mm	1170 mm 1070 mm
Pieds fermés (Largeur externe) (J) (Largeur interne) (K)	600 mm 540 mm	600 mm 540 mm	600 mm 540 mm	600 mm 540 mm
Hauteur des pieds, hors tout	100 mm	100 mm	100 mm	100 mm
Garde au sol	25 mm	25 mm	25 mm	25 mm
Roulettes jumelées avant	75 mm	75 mm	75 mm	75 mm
Roulettes freinées arrière	100 mm	100 mm	100 mm	100 mm

Poids :				
Mât et bras avec fixations	17,5 kg	17,5 kg	20,5 kg	20,5 kg
Base	11 kg	11 kg	11,5 kg	11,5 kg
Unité montée	28,5 kg	28,5 kg	32 kg	32 kg
Batterie	2,9 kg	-	2,9 kg	-

* Portée = distance entre le centre de la barre d'écartement et l'avant du mât

	MAJOR 200		MAXI 180
	Électrique	Hydraulique	Électrique
Charge maximale d'utilisation	200 kg	200 kg	180 kg
Longueur (A)	1300 mm	1300 mm	1315 mm
Hauteur maximale hors tout (B)	1930 mm	1930 mm	2150 mm
Hauteur minimale hors tout (C)	1380 mm	1380 mm	1560 mm
Barre d'écartement Max. Hauteur (D)	1715 mm	1705 mm	1970 mm
Barre d'écartement Min. Hauteur (E)	565 mm	525 mm	780 mm
Hauteur de barre d'écartement à portée maximale	1200 mm	1200 mm	1420 mm
Portée à hauteur maximale *	610 mm	620 mm	550 mm
Portée à hauteur minimale *	515 mm	510 mm	540 mm
Portée maximale	720 mm	720 mm	730 mm
Rayon de braquage (F)	1310 mm	1310 mm	1310 mm
Pieds ouverts (Largeur externe) (G) (Largeur interne) (H)	1230 mm 1140 mm	1230 mm 1140 mm	1230 mm 1140 mm
Pieds fermés (Largeur externe) (J) (Largeur interne) (K)	660 mm 580 mm	660 mm 580 mm	660 mm 580 mm
Hauteur des pieds, hors tout	100 mm	100 mm	100 mm
Garde au sol	15 mm	15 mm	15 mm
Roulettes jumelées avant	75 mm	75 mm	75 mm
Roulettes freinées arrière	100 mm	100 mm	100 mm

Poids :			
Mât et bras avec fixations	23 kg	23 kg	24 kg
Base	19 kg	19 kg	19 kg
Unité montée	42 kg	42 kg	43 kg
Batterie	2,9 kg	-	2,9 kg

* Portée = distance entre le centre de la barre d'écartement et l'avant du mât

Spécifications électriques :

Batteries 2 x 24 volts, de type plomb-acide, scellées et rechargeables
Capacité des batteries 2,9 A/h
Valeur nominale d'entrée du chargeur.. 100-240 V AC / 24 V DC 50/60 Hz. Max 400 MA
Valeur nominale de sortie du chargeur 29,5 V DC. Max 19 W

Protection contre l'électrocution :

Chargeur Classe II
Lève-personne Source d'alimentation interne

Degré de protection contre l'électrocution :

Chargeur Type B
Lève-personne Type B

Conditions environnementales :

En dehors de cet environnement, le fonctionnement et la sécurité de l'appareil peuvent être compromis.

Fonctionnement :

Température 5°C à 40°C
Humidité relative..... 20% - 90% à 30° C (sans condensation)
Pression atmosphérique..... 700 - 1060 hpa
Niveau sonore 55 dB

Stockage :

Température -10°C à +50°C
Humidité relative..... 20% - 90% à 30° C (sans condensation)
Pression atmosphérique..... 700 - 1060 hpa

Indices de protection IP :

Boîtier de commande IPX4
Vérin IPX4
Chargeur non transporté IPX5
Batterie IPX5
Commande manuelle IPX5

Cycles de service :

Vérin 10% (2 min / 18 min)
Batterie 10% (2 min / 18 min)

Symboles :

Vous trouverez les symboles suivants sur le chargeur, l'unité de commande et la batterie :



Ce produit est un dispositif médical conforme à la directive relative aux dispositifs médicaux 2017/745.



Equipement de type B, conformément à EN 60601-1



Equipement de Classe 2



Ne pas jeter la batterie avec les déchets ménagers. Les batteries doivent être éliminées conformément aux réglementations locales et nationales en vigueur.



Ne pas jeter les composants électroniques avec les déchets ménagers.



Utilisation à l'intérieur



ATTENTION, consultez les documents fournis.



Se référer aux instructions d'utilisation avant utilisation.

Numéro DEEE : WEE/GG0464RZ

10. Garantie

Joerns Healthcare possède un réseau d'agents de service et de distributeurs agréés qui se feront un plaisir de répondre à vos questions relatives à l'achat, la garantie, la réparation et l'entretien de votre matériel. Nous vous recommandons de confier la mise en service de nos produits à votre agent de service ou distributeur agréé.

Le programme de garantie est assuré par votre distributeur ou l'agent de service, il est donc important de conserver soigneusement ses coordonnées (nom, adresse et numéro de téléphone) afin de pouvoir le contacter en cas de problème. An cas de doute sur le lieu d'achat de votre lève-personne, Joerns Healthcare est en mesure d'identifier votre fournisseur à partir du numéro de série du lève-personne.

Toutes les réclamations au titre de la garantie sont conditionnées à l'usage et à l'entretien corrects et conformes au manuel d'utilisation livré avec chaque appareil. Tout endommagement résultant d'une utilisation dans des conditions inadaptées ou du non-respect des consignes d'entretien et d'utilisation n'est pas couvert pas la garantie. La garantie ne porte pas atteinte à vos droits légaux.

N'OUBLIEZ PAS : Contactez votre agent de service ou distributeur agréé pour vos achats, réparations, entretiens et maintenances certifiées.

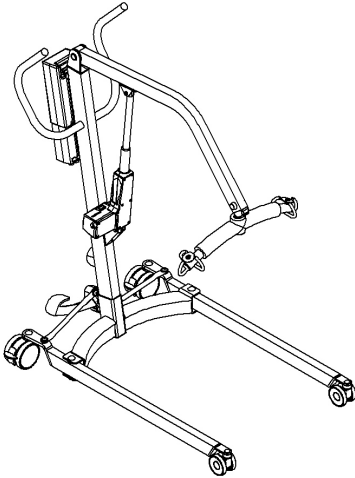
Votre distributeur :

Inhalt

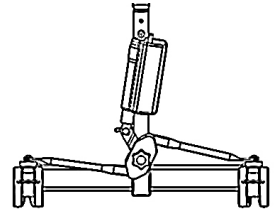
1.	Produktreihe der Oxford Classic Patientenlifter.....	59
2.	Einleitung: Über den Patientenlifter.....	61
3.	Montage und Inbetriebnahme.....	62
4.	Sicherheitshinweise.....	66
5.	Smart™ Monitor und Handbedienung.....	68
6.	Bedienungsanleitung.....	72
7.	Ladeanleitung (nur für Modelle mit Elektroantrieb).....	75
8.	Wartungsplan und tägliche Prüfliste.....	77
9.	Technische Daten.....	80
10.	Wartung, Reparaturen, Inspektionen und Tests.....	85

1. Produktreihe der Oxford Classic Patientenlifter

Oxford Mini 140:



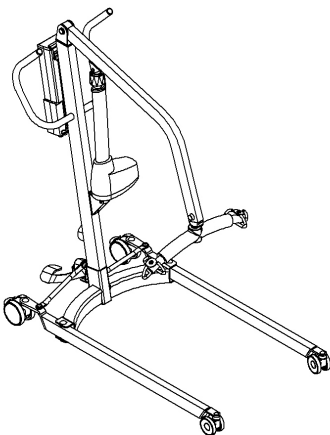
Hydraulikkolben
(ersetzt den
Verstellmotor bei
Modellen mit Hydraulik)



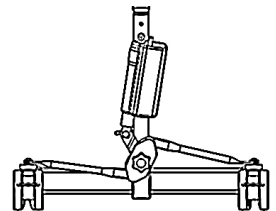
Verstellmotor für das
Fahrgestell (ersetzt das
Fußpedal bei Modellen
mit elektrischem
Fahrgestell)

Fig. 1

Oxford Midi 180:



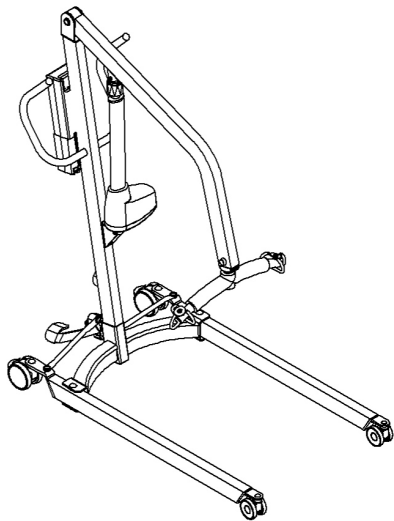
Hydraulikkolben
(ersetzt den
Verstellmotor bei
Modellen mit Hydraulik)



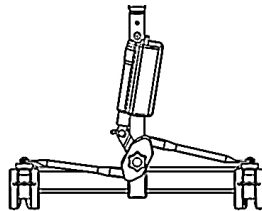
Verstellmotor für das
Fahrgestell (ersetzt das
Fußpedal bei Modellen
mit elektrischem
Fahrgestell)

Fig. 2

Oxford Major 200:



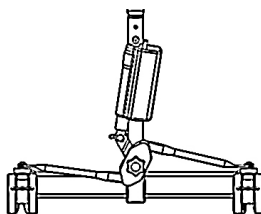
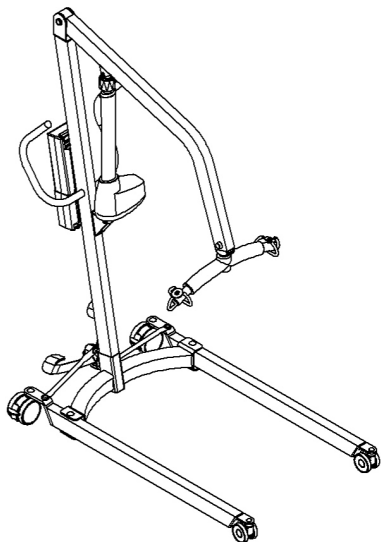
Hydraulikkolben
(ersetzt den
Verstellmotor bei
Modellen mit Hydraulik)



Verstellmotor für das
Fahrgestell (ersetzt das
Fußpedal bei Modellen
mit elektrischem
Fahrgestell)

Fig. 3

Oxford Maxi 180:



Verstellmotor für das
Fahrgestell (ersetzt das
Fußpedal bei Modellen mit
elektrischem Fahrgestell)

Fig. 4

2. Einleitung: Über den Patientenlifter

Die Oxford Classic Patientenlifter ist mit Hydraulik- oder Elektroantrieb erhältlich, außer dem Maxi 180, der nur mit Elektroantrieb erhältlich ist. Dieses Handbuch gilt für beide Optionen.

Alle Patientenlifter werden vor der Auslieferung komplett montiert, unter Last getestet und zertifiziert, bevor sie für den Versand teilweise demontiert werden. Die Verpackung besteht aus einem stabilen, eigens für diesen Zweck hergestellten Karton, der für Lieferungen ins In- und Ausland verwendet wird, um die sichere Anlieferung des Patientenlifters zu gewährleisten.

Beiliegende Unterlagen:

Mit jedem Patientenlifter werden die zugehörigen Unterlagen in einer beiliegenden Tasche mitgeliefert, die zur späteren Verwendung aufbewahrt werden müssen.

- Prüfbescheinigung
- Benutzerhandbuch

Die PRÜFBESCHEINIGUNG ist ein wichtiges Dokument und wird für Ihre Versicherungsunterlagen benötigt. Sie ist 6 Monate lang gültig, danach muss für den nächsten Zeitraum von sechs Monaten eine Inspektion und Wartung am Patientenlifter durchgeführt werden. Der Kundendienst und die regelmäßige Überprüfung gemäß den geltenden Unfallverhütungsvorschriften können von Ihrem autorisierten Fachhändler durchgeführt werden. Vergewissern Sie sich, dass der Patientenlifter in dessen Wartungskalender eingetragen ist.

WARNUNG

Vor dem täglichen Gebrauchs Ihres Patientenlifters müssen die in der täglichen Checkliste in dieser Anleitung aufgeführten Überprüfungen durchgeführt werden.

Die CE-Kennzeichnung:

Die Oxford Classic Patientenlifter verfügen über eine CE-Kennzeichnung und entsprechen den folgenden EG-Richtlinien:



- Richtlinie über Medizinprodukte (93/42/EWG)
- EMV-Richtlinie (89/336/EWG) (nur Elektrik)
- Niederspannungsrichtlinie (73/23/EWG) (nur Elektrik)

Erklärung zur bestimmungsgemäßen Verwendung:

Die bestimmungsgemäße Verwendung dieser Hebevorrichtung ist das sichere Umlagern einer Person von einer Ruhefläche zu einer anderen (wie etwa von einem Bett in einen Rollstuhl). Der Transport von Personen in einem Gurt über größere Entfernungen wird nicht empfohlen. Oxford Classic Patientenlifter sind für Patienten in SITZENDER, SITZENDER/LIEGENDER und LIEGENDER Position geeignet.

WARNUNG

Oxford Patientenlifter dürfen nur von entsprechend geschultem/sachkundigem Pflegepersonal bedient werden.

Erwartete Lebensdauer:

Die mobilen Oxford Classic Patientenlifter sind für eine Lebensdauer von mindestens sieben (7) Jahren ausgelegt und geprüft, vorausgesetzt, die in diesem Handbuch beschriebenen Verfahren für Gebrauch und Wartung werden eingehalten. Bei einer Verwendung, die nicht den Angaben in dieser Anleitung entspricht, kann die Lebensdauer beeinträchtigt werden.

Meldung von schwerwiegenden Vorfällen:

Wenn ein schwerwiegender Vorfall beim Gebrauch dieses Produkts auftritt, der sich auf den Patienten und/oder die Pflegeperson auswirkt, muss dieser dem Hersteller des Produkts oder dem autorisierten Fachhändler gemeldet werden. Sollte der Vorfall innerhalb der Europäischen Union (EU) auftreten, muss er auch die Behörde vor Ort gemeldet werden, die im jeweiligen Mitgliedstaat zuständig ist.

3. Montage und Inbetriebnahme

Stellen Sie den Versandkarton in einem freien Arbeitsbereich auf und öffnen Sie ihn vorsichtig. Der Karton enthält folgendes:

- Hauptfahrgestell mit Laufrollen
- Tasche mit Unterlagen
- Mast- und Auslegerbaugruppe
- Ladegerät (nur für Patientenlifter mit Elektroantrieb)
- Akkueinheit (nur für Patientenlifter mit Elektroantrieb)
- Handbedienung (nur für Patientenlifter mit Elektroantrieb)

1. Nehmen Sie alle Teile aus dem Karton heraus, legen Sie sie auf den Boden und achten Sie darauf, dass dabei die Lackierung des Geräts nicht beschädigt wird.

⚠️ WARNUNG

Manche Teile sind schwer und müssen vorsichtig angehoben werden. Für die schweren Baugruppen brauchen Sie unter Umständen Hilfe.

2. Stellen Sie die hinteren Laufrollen fest, indem Sie die Bremshebel nach unten drücken (Fig. 5).
3. Bringen Sie die Mastbaugruppe am Fahrgestell an. Der Mast wird in die rechteckige Aufnahme oben in der Mitte des Fahrgestells eingesetzt. (Fig. 5 - Modell mit manuellem Fahrgestell abgebildet).

⚠️ WARNUNG

Einklemmgefahr für die Finger. Halten Sie beim Einführen des Masten in die Aufnahme die Finger vom Mastende fern.

Um eine unbeabsichtigte Beschädigung des Beinöffnungsaktuators zu vermeiden, STELLEN SIE SICHER, dass die Beine in der geöffneten Position sind, bevor Sie den Mast in die Steckdose der elektrischen Beinvarianten einstecken.

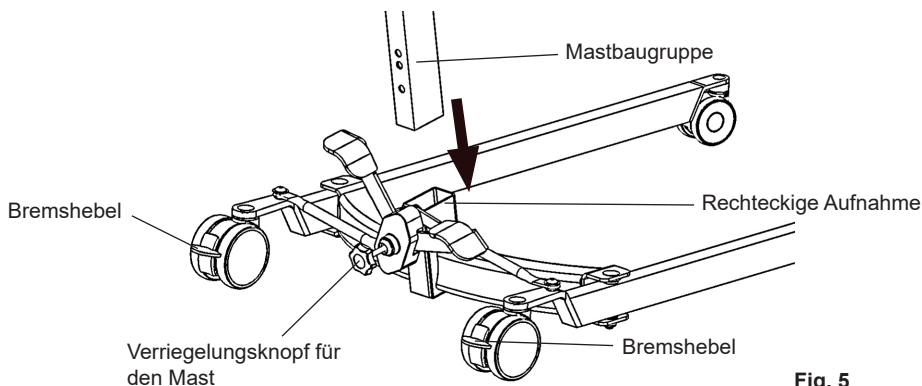


Fig. 5

4. Wenn der Mast ganz in der Aufnahme eingerastet ist, drehen Sie den Verriegelungsknopf für den Mast (Fig. 5) im Uhrzeigersinn, bis er ganz angezogen ist.

⚠️ WARNUNG

Das komplette Einrasten des Masten wird an dem Aufkleber an der Seite des Masten gezeigt.

- 5. Betrieb des elektrischen Fahrgestells:** Zum Anschließen des Verstellmotors für den Verstellmechanismus des Fahrgestells ist eine geringfügige Montage erforderlich. Schwenken Sie den Verstellmotor vorsichtig über die Halterung für den Drehpunkt des Fahrgestells und achten Sie dabei darauf, dass die Löcher fluchten. Stecken Sie den Gelenkbolzen ein und achten Sie darauf, dass die Unterlegscheiben aus Kunststoff angebracht sind. Zum Abschluss die Federklemme durch das Loch im Gelenkbolzen einstecken und auf festen Sitz überprüfen.

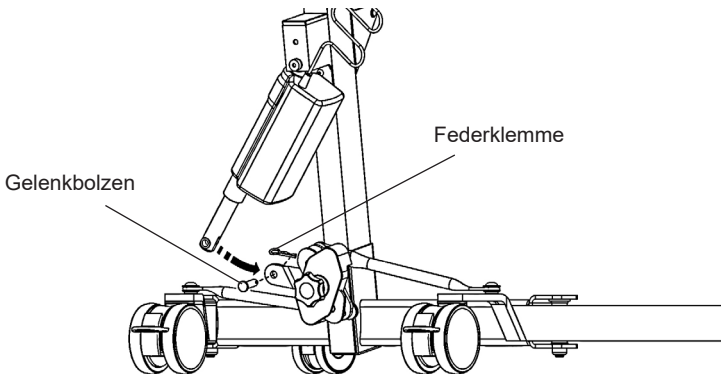


Fig. 6

Bedienung des Fahrgestells mit dem Fußpedal: Wenn Ihr Patientenlifter mit einem Fahrgestell mit Fußpedalbedienung ausgestattet ist, lösen Sie die Bremsen und überprüfen Sie durch Betätigen der Fußpedale, dass sie sich gut lösen und feststellen lassen (Fig. 7). Halten Sie sich dabei am Schiebegriff fest.

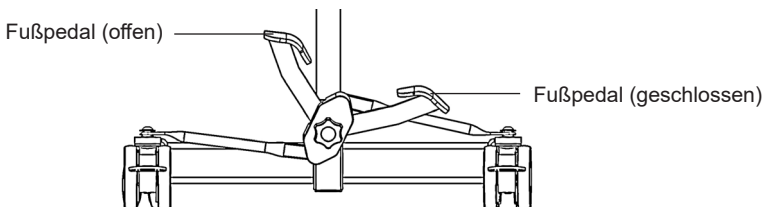


Fig. 7

Nur für Modelle mit Elektroantrieb:

6. Befestigen Sie die Batterie am Steuerkasten und achten Sie dabei darauf, dass sich der rote Not-Aus-Knopf an der Steuerung in der herausgezogenen (EIN) Stellung befindet, indem Sie ihn entgegen dem Uhrzeigersinn drehen (Fig. 8).

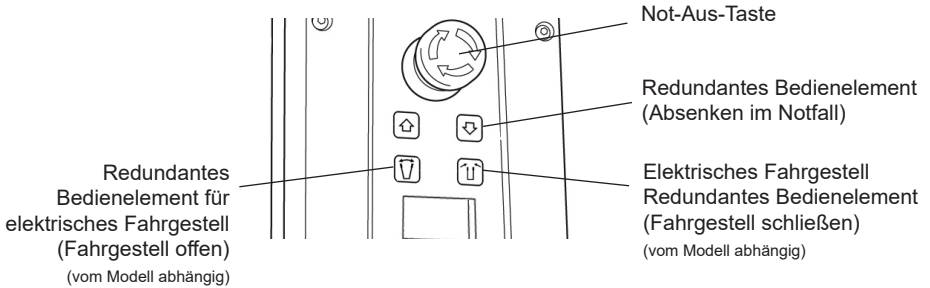


Fig. 8

7. Drücken Sie die Tasten AUFWÄRTS und ABWÄRTS an der Handbedienung und überprüfen Sie, dass sich der Ausleger entsprechend nach oben und unten bewegt (Fig. 9).

HINWEIS: Wenn Ihr Patientenlifter mit einer elektrischen Verstellung des Fahrgestells ausgestattet ist, überprüfen Sie, dass das Öffnen und Schließen des Fahrgestells funktioniert, indem Sie die Tasten ÖFFNEN und SCHLIESSEN an der Handbedienung drücken.

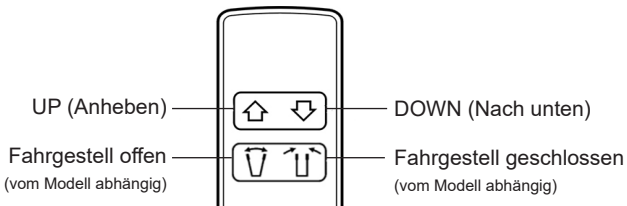


Fig. 9

8. Vor dem erstmaligen Gebrauch muss der Servicezähler von einem autorisierten Fachhändler auf Null gesetzt werden.
9. Der Patientenlifter ist jetzt einsatzbereit.

Nur für Modelle mit Hydraulik:

- Schließen Sie das Ablassventil für die Hydraulik (Fig. 10), indem Sie das schwarze Rändelrad an der Hydraulik im Uhrzeigersinn bis zum Anschlag drehen.

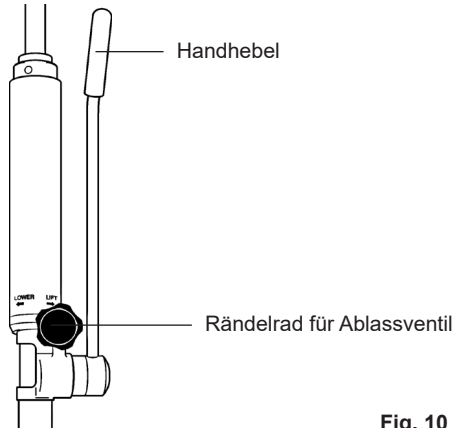


Fig. 10

HINWEIS: Das Ablassventil muss nur leicht angezogen werden, damit es funktioniert und sollte nur von Hand angezogen werden.

⚠️ WARNUNG

Drehen Sie das Rändelrad des Ventils nicht mit Gewalt, da dadurch das Ventil beschädigt wird.

- Betätigen Sie den Handhebel (Fig. 10) der Hydraulik und überprüfen Sie, dass der Kolben den Ausleger anhebt.
- Öffnen Sie das Ablassventil ganz entgegen dem Uhrzeigersinn und überprüfen Sie, dass der Ausleger abgesenkt wird.

HINWEIS: Ausleger ohne Last bewegen sich nicht mit ihrem Eigengewicht nach unten, es muss dazu etwas zusätzlicher Druck auf den Ausleger ausgeübt werden, damit er abgesenkt wird.

⚠️ WARNUNG

Das Ablassventil ist ganz geöffnet und erreicht den mechanischen Endanschlag mit weniger als zwei vollen Umdrehungen des Rades. Drehen Sie das Ventil NICHT mit Gewalt weiter als bis zum Endanschlag, da das Ventil sonst beschädigt wird.

- Schließen Sie das Ablassventil, indem Sie das schwarze Rändelrad entgegen dem Uhrzeigersinn drehen.
- Der Patientenlifter ist jetzt einsatzbereit.

4. Sicherheitshinweise

Lesen und befolgen Sie die nachfolgend aufgeführten Sicherheitshinweise. Betrieb und Funktionsweise des Oxford Patientenlifters sind einfach und direkt. Wenn Sie diese grundlegenden Sicherheitsvorkehrungen beachten, ist der Hebebetrieb leicht und problemlos.

DER "CLASSIC" LIFTER DARF NUR VON PERSONEN VERWENDET WERDEN, DIE DIESES BENUTZERHANDBUCH GELESEN UND VERSTANDEN HABEN.

WARNUNG: Wichtige Sicherheitsinformationen über Gefahren, die schwere Verletzungen zur Folge haben können.

VORSICHT: Informationen zur Vermeidung von Beschädigungen am Produkt.

HINWEIS: Informationen, auf die Sie besonders achten sollten.

WARNUNG

- **Oxford Patientenlifter dürfen nur von entsprechend geschultem/sachkundigem Pflegepersonal bedient werden.**
- **Planen Sie Ihre Hebevorgänge IMMER zuerst, bevor Sie damit beginnen.**
- **Gehen Sie vor JEDEM Einsatz des Patientenlifters die TÄGLICHE PRÜFLISTE durch.**
- **Machen Sie sich vor dem Heben von Patienten IMMER mit den Bedienelementen und Sicherheitseinrichtungen des Patientenlifters vertraut.**
- **Verwenden Sie NUR Gurte, die zur Verwendung mit diesem Patientenlifter empfohlen werden.**
- **Prüfen Sie IMMER, ob der Gurt für den jeweiligen Patienten geeignet ist und die korrekte Größe und Tragfähigkeit aufweist.**
- **Verwenden Sie KEINE ausgefransten oder beschädigten Gurte.**
- **Bringen Sie den Gurt IMMER gemäß der Anleitung (Benutzerhandbuch) an.**
- **Überprüfen Sie IMMER, dass die maximale Tragfähigkeit des Patientenlifters für das Körpergewicht des Patienten geeignet ist.**
- **Führen Sie Hebevorgänge IMMER gemäß der Anleitung im Benutzerhandbuch durch.**
- **Bedien- oder Sicherheitselemente dürfen AUF KEINEN FALL entfernt oder umgangen werden, um den Betrieb des Patientenlifters zu vereinfachen.**
- **Bedienelemente oder Sicherheitseinrichtungen NIE mit Gewalt betätigen. Alle Bedienelemente sind leichtgängig und ohne größere Kraftanstrengung zu betätigen. Wenn ein Bedienelement nicht leichtgängig ist, gibt es einen Grund dafür. Übermäßige Kraftaufwendung führt nur zur Belastung oder Beschädigung des Patientenlifters und kann die Sicherheit gefährden. Wenn Sie sich nicht sicher sind, wenden Sie sich an Ihren autorisierten Oxford Fachhändler oder an Joerns Healthcare.**

⚠️ WARNUNG

- Heben Sie Patienten **NIEMALS** mit festgestellten Laufrollen an.
- Manövrieren Sie den Patientenlifter **KEINESFALLS** durch Schieben am Mast, Ausleger oder am Patienten.
- Manövrieren Sie den Patientenlifter **IMMER** mit den dafür vorgesehenen Handgriffen. Bringen Sie **KEINE** zusätzlichen seitlichen Kräfte auf den Ausleger oder das Fahrgestell des Patientenlifters auf, um ihn zu manövrieren.
- Senken Sie den Patienten vor Beginn des Umlagerens
- **IMMER** auf die niedrigste bequeme Position ab.
- Schieben Sie den beladenen Patientenlifter **NICHT** schneller als mit langsamer Schrittgeschwindigkeit (3 Stundenkilometer, 0,8 Meter/Sekunde).
- Schieben Sie den Patientenlifter **NICHT** über unebenen oder rauen Untergrund, vor allem nicht, wenn er beladen ist.
- Schieben bzw. ziehen Sie den beladenen Patientenlifter **NICHT** über Hindernisse am Boden, die die Laufrollen nicht leicht überfahren können.
- Der Patientenlifter darf in beladenem oder unbeladenem Zustand **KEINE** Stufen hinunter geschoben werden.
- Führen Sie den beladenen Patientenlifter **NICHT** über schiefe Ebenen mit einem Gefälle über 1:12 (ca. 5 Grad). Joerns Healthcare empfiehlt, dass eine zweite Person anwesend ist, wenn ein Patient über Steigungen bzw. Gefälle gefahren wird.
- Parken Sie den beladenen Patientenlifter **NICHT** auf schiefen Ebenen.
- Benutzen Sie elektrische Patientenlifter **NICHT** in der Dusche.
- Laden Sie elektrische Patientenlifter **NICHT** in Bädern oder Duschräumen auf.
- Heben Sie Patienten **NUR**, wenn Sie entsprechend geschult wurden.
- **IHR** Patientenlifter ist zum Heben von Patienten bestimmt. Benutzen Sie ihn **NICHT** für andere Zwecke oder lassen Sie ihn andere nicht für andere Zwecke benutzen.
- Die Produktreihe Oxford Classic ist nicht für den Dauerbetrieb bzw. für die Lagerung in feuchten Bedingungen mit Kondensation geeignet.
- Die **MINDESTLAST** zum manuellen Absenken des Patientenlifters mit der mechanischen Notabsenkung beträgt 30 kg (falls eingebaut).

5. Smart Monitor und Handbedienung

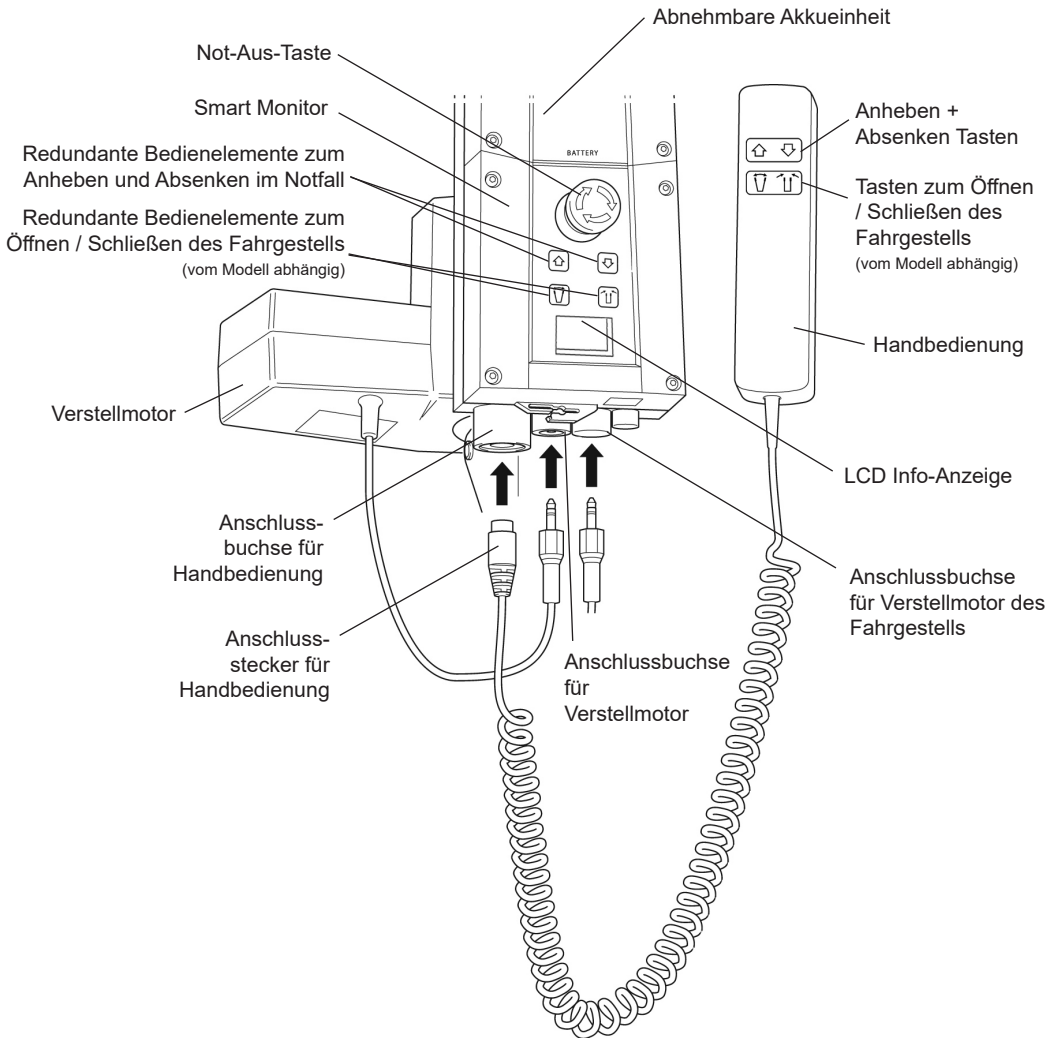


Fig. 11

Bestimmungsgemäße Verwendung:

Der Oxford Smart Monitor ist ein Steuersystem für mobile Oxford Patientenlifter. Der Smart Monitor speichert nützliche Servicedaten zum Patientenlifter, die bei Bedarf aufgerufen werden können. Zu den Servicedaten gehören:

- Anzahl der mit Patienten durchgeführten Hübe
- Gesamtleistung des Verstellmotors
- Anzahl der Überlasten am Patientenlifter (Hubversuche über der maximalen Tragfähigkeit)
- Anzahl der Tage seit dem letzten Serviceintervall

In den Oxford Smart Monitor ist ein Mikroprozessor eingebaut, mit dem Servicedaten über die eingebaute LCD-Anzeige ausgelesen werden kann.

Funktionen:

- Datensammlung im Steuerkasten mit Anzeige der Daten über eine LCD-Anzeige
- Leistungszähler
- Intelligenter Hubzähler
- Serviceanzeige
- Serviceintervallanzeige
- Überlastinformationen
- 3-stufige Akkuanzeige

Vorteile:

- Mehr Sicherheit für Patienten und Pflegepersonal
- Korrekte Servicedaten auf Knopfdruck verfügbar
- Optimierte Lebensdauer des Produkts
- Einfache Wartung für Mechaniker und Servicemechaniker

LCD Anzeige:

Mit dem Oxford Smart Monitor können Daten über die LCD-Anzeige ausgelesen werden. Es können die Gesamtzahl der Hubvorgänge, Gesamtleistung, Überlasten und Anzahl der Tage seit dem letzten Service ausgelesen werden, die zur schnellen und einfachen Beurteilung des Zustands des Hubverstellmotors verwendet werden können (Fig. 12).

Der Zugriff auf die Daten erfolgt durch Drücken der Taste 'RAISE' an der Handbedienung für ½ Sekunde oder der redundanten Taste 'RAISE' am Smart Monitor.

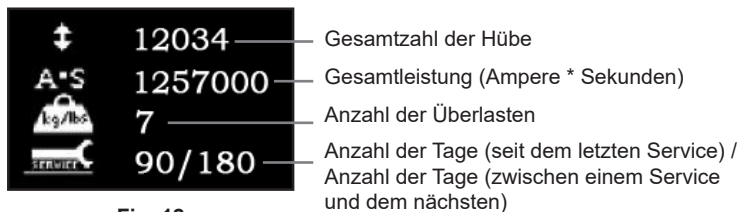


Fig. 12

Informationen zu Service und Verwendung:



Fig. 13

Wenn ein Service fällig ist, erscheint das Service-Symbol auf dem Display (Fig. 13). Wenn die Handbedienung aktiviert ist, gibt der Smart Monitor auch ein akustisches Signal ab, das den Benutzer darauf hinweist, dass ein Service erforderlich ist.

Das Service-Symbol wird jedes Mal angezeigt, wenn die Taste zum Anheben oder Absenken an der Handbedienung gedrückt wird. Wenn das Service-Symbol angezeigt wird, wenden Sie sich sofort an Ihren autorisierten Fachhändler, um einen Termin für einen Service zu vereinbaren.



Fig. 14

Wenn der Patientenlifter wegen einer Überlast (ein Versuch, mehr als die maximal zulässige Tragkraft anzuheben) stoppt, erscheint das Überlast-Symbol auf der LCD-Anzeige (Fig. 14) und der Patientenlifter funktioniert erst wieder, wenn die zusätzliche Last (über der maximalen zulässigen Tragkraft) abgenommen wurde.

⚠️ WARNUNG

Wenn die LCD-Anzeige auf Ihrem Smart Monitor eine Überlast erfasst hat, empfiehlt Joerns Healthcare, vor der weiteren Benutzung ALLE täglichen Routineprüfungen am Patientenlifter durchzuführen (eine Liste der täglichen Überprüfungen finden Sie im Benutzerhandbuch des Patientenlifters). Joerns Healthcare empfiehlt auch, dass Sie sich für weitere Informationen an Ihren autorisierten Oxford Fachhändler wenden.

Eingebaute redundante Steuerung:

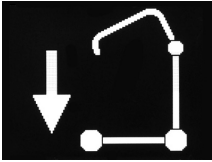


Fig. 15

Mit der eingebauten redundanten Steuerung kann der Patientenlifter im Notfall angehoben oder abgesenkt werden (Fig. 15).

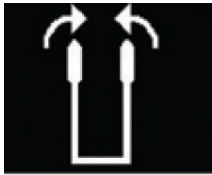


Fig. 16

Wenn Ihr Patientenlifter mit einer elektrischen Fahrgestellpositionierung ausgestattet ist, sind redundante Bedienelemente zum Öffnen und Schließen des Fahrgestells vorhanden. (Fig. 16).

Angaben zum Akku:



Fig. 17

Wenn auf dem Display ein voller Akku angezeigt wird, heißt das, dass der Akku ganz aufgeladen und der Patientenlifter betriebsbereit ist (Fig. 17).

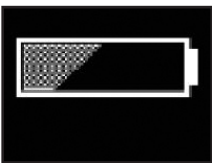


Fig. 18

Wenn auf dem Display eine halb leere Akku angezeigt wird, heißt das, dass der Akku aufgeladen werden muss (Fig. 18).

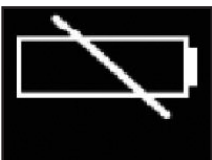


Fig. 19

Das Symbol mit dem leeren Akku auf dem Display zeigt an, dass der Akku ganz leer ist und sofort aufgeladen werden sollte (Fig. 19).

⚠️ WARNUNG

Um eine mögliche Dauerschädigung des Akkus zu vermeiden, sollte der Akku aufgeladen werden, wenn das halb leere Akkusymbol auf dem Display angezeigt wird (Fig. 18).

6. Bedienungsanleitung

⚠️ WARNUNG

Oxford Patientenlifter dürfen nur von entsprechend geschultem/sachkundigem Pflegepersonal bedient werden.

1. **Einstellen der Fahrgestellbreite:** Das Fahrgestell von Oxford Classic Patientenliftern kann gespreizt werden, damit es um Sessel, Rollstühle und andere Möbelstücke passt. Zum Transfer und zum Schieben durch enge Türen und Durchgänge muss das Fahrgestell immer zusammengeführt sein.

Bedienung des elektrischen Fahrgestells: Drücken Sie zum Öffnen oder Schließen des Fahrgestells einfach die entsprechende Taste an der Handbedienung. Sie können auch die redundanten Softkeys zur Steuerung verwenden, die sich vorne am Steuerkasten über der LCD-Anzeige befinden.

Bedienung des Fahrgestells mit dem Fußpedal: Betätigen Sie einfach die Schiebepedale, die sich unten/hinten am Mast befinden. Drücken Sie zum Öffnen des Fahrgestells einfach das LINKE Schiebepedal nach unten. Zum Schließen des Fahrgestells das RECHTE Schiebepedal nach unten drücken.

Das kann in beiden Fällen durchgeführt werden, während sich der Patient im Patientenlifter befindet.

2. **Laufrollen und Feststellbremsen:** Der Patientenlifter verfügt über zwei feststellbare Laufrollen, die beim Abstellen benutzt werden. Beim Heben müssen die Laufrollen frei und nicht festgestellt sein. Der Patientenlifter kann sich dann zu seinem Schwerpunkt bewegen. Wenn Sie die Bremse betätigen, kann der Patient zum Schwerpunkt geschwenkt werden, das kann beunruhigend oder unangenehm sein.

3. **Fahrtrichtung (Bewegung nach vorne):** Die Classic Produktreihe von mobilen Patientenliftern ist dafür ausgelegt, dass sie mit dem eingebauten Schiebegriff vorwärts geschoben werden. (Fig. 20).

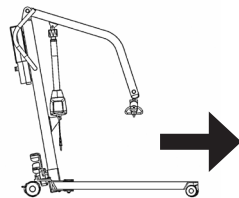


Fig. 20

4. **Linearlenkvorrichtung (falls eingebaut):** Eine der hinteren Laufrollen ist mit einer Linearlenkvorrichtung ausgestattet. Um die Vorrichtung zu aktivieren, einfach die „U“-förmige Stange über die hintere Laufrolle schwenken. Die Vorrichtung wird automatisch aktiviert, wenn Sie den Patientenlifter in Bewegung setzen.
5. **Anheben und Absenken des Auslegers (Modelle mit Elektroantrieb):** Die Bewegung des Auslegers erfolgt durch einen leistungsstarken elektrischen Verstellmotor, der durch eine einfache Handbedienung gesteuert wird. An der Handbedienung befinden sich zwei Tasten mit den Richtungspfeilen AUFWÄRTS und ABWÄRTS. Der Verstellmotor stoppt automatisch in der oberen bzw. unteren Endlage. Die Handbedienung wird an einer Buchse unten am Steuerkasten eingesteckt. Die Rückseite der Handbedienung ist magnetisch, damit kann sie am Mast oder am Ausleger „geparkt“ werden, wenn sie nicht benutzt wird.
6. **Not-Aus (nur bei Modellen mit Elektroantrieb):** Der rote Not-Aus-Knopf befindet sich an der Vorderseite des Steuerkastens und wird durch Drücken ausgelöst. Damit wird die gesamte Stromzufuhr zum Patientenlifter unterbrochen. Um den Not-Aus-Zustand aufzuheben, den Knopf im Uhrzeigersinn drehen und loslassen.
7. **Redundante Steuerung:** Alle Oxford Classic Patientenlifter sind mit Tasten zum Anheben und Absenken am Steuerkasten ausgestattet. Sie befinden sich unter der Not-Aus-Taste und können beim Ausfall der Handbedienung zum Absenken/Anheben des Patienten verwendet werden.

8. **Absenken im Notfall:** Für den Fall eines kompletten Stromausfalls ist der elektrische Verstellmotor mit einem mechanischen Senkmechanismus (ROTER KNOPF) ausgestattet. Um den Mechanismus zu betätigen, den Knopf von Hand im Uhrzeigersinn drehen. Der Patientenlifter wird dann langsam abgesenkt. Wiederholen Sie den Vorgang, bis der Patient sicher unten angekommen ist.

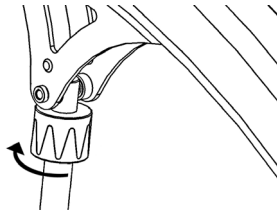


Fig. 21

⚠️ WARNUNG

Der Absenkmechanismus für den Notfall darf nur bei einem Stromausfall verwendet werden. Er darf nicht zum normalen Absenken des Patienten verwendet werden.

⚠️ WARNUNG

Wenn diese Funktion benutzt wurde, MUSS der Patientenlifter danach von einem Fachmechaniker überprüft werden.

⚠️ WARNUNG

Wenn der Patientenlifter nach der Betätigung des Notfallabsenkungsmechanismus weiter benutzt wird, kann dadurch die Sorgfaltspflicht und die Sicherheit des Patienten beeinträchtigt werden.

9. **Akkus:** Die Akkus sind durch ein ALARMSIGNAL BEI NIEDRIGEM LADESTAND vor der Tiefentladung geschützt. Dieser Alarm ertönt bei der Betätigung der Handbedienung, wenn die Akkus aufgeladen werden müssen. Der Alarm ertönt nur, wenn die Handbedienung betätigt wird. **DIESER ALARM IST UNBEDINGT ZU BEACHTEN.** Führen Sie den Hebevorgang zu Ende und laden Sie die Akkus auf (siehe „Aufladen der Akkueinheit“).
10. **Anheben und Absenken des Auslegers (nur bei Modellen mit Hydraulikantrieb):** Das Anheben und Absenken des Auslegers erfolgt durch zwei leistungsstarke Hydraulikkolben, die durch zwei einfache Bedienelemente betätigt werden. Das Auslassventil, das am schwarzen Rändelrad erkennbar ist und der lange Handhebel an der Seite der Hydraulik.
- Zum Anheben des Auslegers muss das Auslassventil geschlossen sein. Zum Schließen des Ventils das Rändelrad vorsichtig ganz im Uhrzeigersinn drehen. Wenn es geschlossen ist, betätigen Sie den langen Handhebel mit gleichmäßigen Bewegungen auf und ab. Der Takt des Hebels geht von der aufrechten Stellung durch einen 90-Grad-Bogen. Lassen Sie den Hebel in der aufrechten Position, wenn er nicht benutzt wird.

⚠️ WARNUNG

Bewegen Sie den Hebel **NICHT** über den oberen oder unteren Anschlag hinaus. Die Hydraulik kann gedreht werden, d.h., der Hebel kann von beiden Seiten des Patientenlifters aus benutzt werden.

Zum Absenken des Auslegers das Ablassventil entgegen dem Uhrzeigersinn drehen. Das Ablassventil ist stufenlos, je weiter es geöffnet wird, umso schneller wird abgesenkt. Das Ablassventil ist begrenzt, d.h., auch wenn es ganz geöffnet ist, wird kontrolliert abgesenkt. Das ermöglicht eine „Freihand“-Absenkung.

Wenn das Ablassventil geringfügig (eine Vierteldrehung) geöffnet wird, kann die Pflegeperson „Freihand“ arbeiten, damit sie den Patienten unterstützen oder beruhigen kann.

DENKEN SIE DARAN, das Ablassventil zu schließen, bevor Sie mit dem Anheben beginnen. Zum Öffnen oder Schließen des Ablassventils ist nur ein sehr leichter Druck erforderlich.

WARNUNG

Öffnen oder schließen Sie das Ablassventil NICHT mit Gewalt. Es ist nicht notwendig und dadurch wird nur das Ventil beschädigt.

11. **Gurte:** Der gewünschte Gurt wird an den Haken des Spreizbügels befestigt. Alle Gurte werden mit Gebrauchsanweisungen geliefert, die genau zu beachten sind.

Die Produktreihe der Oxford Classic Patientenlifter ist für Patienten in SITZENDER, SITZENDER/LIEGENDER und LIEGENDER Position geeignet. Die wichtigsten Gurte, die für dieses Gerät geeignet sind, werden wie folgt angegeben:

- Oxford Quickfit
- Oxford Quickfit Deluxe
- Oxford Access
- Oxford Hoher Rücken
- Oxford Langer Sitz
- Oxford Silkfit

Führen Sie bei der Auswahl eines Gurts aus der Produktreihe Oxford zur Beurteilung der Eignung des Gurts für den Patienten, der gehoben werden soll, vor dem Heben eine umfassende Risikoanalyse durch.

HINWEIS: Für eine ausführliche Anleitung zur Befestigung siehe die Bedienungsanleitung für die Gurte.

WARNUNG

Joerns Healthcare empfiehlt, die Gurte regelmäßig und besonders vor jedem Gebrauch auf Ausfransen oder andere Schäden zu prüfen. Abgenutzte oder beschädigte Gurte NICHT verwenden.

WARNUNG

OXFORD EMPFIEHLT, NUR ORIGINAL ERSATZTEILE VON OXFORD ZU VERWENDEN. Die Gurte und Lifterprodukte von Oxford sind so ausgelegt, dass sie untereinander kompatibel sind. Für Hinweise zur Verwendung und Kompatibilität von Gurten in verschiedenen Ländern siehe das Etikett am Gurt, wenden Sie sich an Ihren Fachhändler vor Ort oder an Joerns Healthcare.

WARNUNG

Bitte beachten Sie die maximale Tragfähigkeit des Patientenlifters. Die Tragfähigkeit der Gurte ist durch die maximale Tragfähigkeit des Patientenlifters begrenzt.

HINWEIS: Für weitere Informationen zur Auswahl von Gurten besuchen Sie bitte www.joerns.co.uk

7. Ladeanleitung (nur für Modelle mit Elektroantrieb)

Wenn die Akkueinheit geladen werden muss, wird sie vom Patientenlifter abgenommen und an ein externes Ladegerät angeschlossen.

Joerns Healthcare empfiehlt, eine zusätzliche Akkueinheit zu beschaffen, damit immer eine Akkueinheit geladen werden kann.

1. Nehmen Sie die Akkueinheit aus dem Patientenlifter heraus. Die Einheit wird von einem einfachen Verschluss oben an der Akkueinheit gehalten. Wenn Sie den Verschluss anheben, wird die Akkueinheit freigegeben.
2. Schließen Sie die Akkueinheit an das Ladegerät an. Die Akkueinheit wird genauso am Ladegerät positioniert und verriegelt wie am Patientenlifter.
3. Stecken Sie den Netzstecker des Ladegeräts in eine geeignete Netzsteckdose ein und schalten Sie die Stromversorgung EIN.
4. Der Ladevorgang erfolgt automatisch und die Akkus sind nach vier (4) Stunden ganz aufgeladen. **Hinweis:** Auch wenn das Ladegerät für längere Zeit eingesteckt bleibt, sind die Akkus vor Überladung geschützt.
 - a) Grünes Licht - Zeigt an, dass es eingeschaltet ist.
 - b) Gelbes Licht - Zeigt an, dass der Akku geladen wird.
 - c) Batterie ist ganz aufgeladen, wenn das gelbe Licht ausgeht.

Hinweis: Es wird empfohlen, den Akku sofort nach der Anlieferung aufzuladen.

5. Um den Patientenlifter wieder in Betrieb zu nehmen, schalten Sie die Stromversorgung AUS und nehmen Sie die Akkueinheit vom Ladegerät ab. Setzen Sie die Akkueinheit in den Patientenlifter ein und vergewissern Sie sich, dass der Verschluss, mit dem die Einheit gesichert ist, ganz eingerastet ist. Die Einheit muss mit einem Klickgeräusch einrasten. Das Laden der elektrischen Oxford Patientenlifter ist einfach, aber es ist wichtig, dass die Ladeanleitung genau befolgt wird. Beachten Sie dazu bitte die folgenden Punkte, die Ihnen dabei helfen, Probleme mit entladenen Akkus zu vermeiden.

WARNUNG

- **Akku, Ladegerät, Handsteuerung und Steuereinheit dürfen NUR von autorisiertem Personal geöffnet werden. (Wenden Sie sich wegen Garantie und Reparaturen an Ihren Fachhändler).**
- **Die Akkupole/Pole des Ladegeräts NICHT berühren.**
- **Die Akkus IMMER ganz aufladen. Lassen Sie die Akkueinheit immer aufladen, wenn sie nicht benutzt wird. Wenn es für Sie einfacher ist, laden Sie sie jede Nacht auf. Das Ladegerät schützt die Akkueinheit vor dem Überladen.**
- **Die Akkus NIE ganz entladen lassen. Sobald das Alarmsignal ertönt, den Hebevorgang zu Ende führen und die Akkus aufladen.**
- **Um eine mögliche Dauerschädigung des Akkus zu vermeiden, sollte der Akku aufgeladen werden, wenn das halb leere Akkusymbol auf dem Display angezeigt wird.**
- **Den Akku IMMER in regelmäßigen Abständen nachladen, wenn er für längere Zeit nicht verwendet wird.**

⚠️ WARNUNG

- **STETS** darauf achten, dass die Netzspannung zum Ladegerät ausgeschaltet ist, bevor das Akkupaket angeschlossen oder abgenommen wird.
- Das Akkupaket **NIE** am Ladegerät angeschlossen lassen, wenn die Netzspannung zum Ladegerät ausgeschaltet ist.
- **DAS LADEGERÄT NICHT** eingeschaltet lassen, wenn der Akku nicht angeschlossen ist.
- **DEN PATIENTENLIFTER WÄHREND DES LADEVORGANGS NICHT** benutzen.
- **ÜBERPRÜFEN** Sie vor dem Verfahren, dass der Patientenlifter nicht aufgeladen wird, da der elektrische Anschluss sonst dadurch beschädigt werden kann.
- **DAS LADEGERÄT KEINESFALLS** durch Ziehen am Kabel ausstecken.
- **ACHTEN SIE DARAUF**, dass Sie nicht über das Ladekabel stolpern.
- **LADEN SIE ELEKTRISCHE PATIENTENLIFTER NICHT** in Bädern oder Duschräumen auf.

8. Wartungsplan und tägliche Prüfliste

Alle Oxford Produkte sind so ausgelegt, dass sie nur ein Minimum an Wartung benötigen. Einige Sicherheitsprüfungen und -maßnahmen müssen jedoch durchgeführt werden. Die TÄGLICHEN Überprüfungen sind unten aufgeführt.

Durch die täglichen Überprüfungen und die halbjährliche Inspektion und Prüfung wird gewährleistet, dass der Patientenlifter im optimalen, sicheren Betriebszustand gehalten wird. Eine Ersatzteilliste ist auf Anfrage erhältlich.

HINWEIS: Die BELASTUNGSPRÜFUNG und BESCHEINIGUNG darf nur von Fachpersonal oder einem autorisierten Kundendienst / Fachhändler durchgeführt werden.

Tägliche Checkliste:

Joerns Healthcare Ltd empfiehlt dringend, den Patientenlifter jeden Tag und vor der Benutzung auf die folgenden Punkte zu überprüfen:

- **VERGEWISSERN SIE SICH**, dass sich der Patientenlifter frei auf den Laufrollen bewegen kann.
- **VERGEWISSERN SIE SICH**, dass sich der Spreizbügel ungehindert drehen und schwenken lässt. Überprüfen Sie, dass der Spreizbügel sicher am Ausleger befestigt ist.
- **UNTERSUCHEN** Sie die Gurthaken am Spreizbügel und die Seitengurte auf übermäßige Abnutzung. Wenn Sie sich nicht sicher sind - **NICHT BENUTZEN**.
- **VERGEWISSERN SIE SICH**, dass die Haltescheiben für die Gurte am Spreizbügel angebracht sind und ordnungsgemäß funktionieren.
- **VERGEWISSERN SIE SICH**, dass sich das Fahrgestell ordnungsgemäß öffnen und schließen lässt.
- Betätigen Sie die Handbedienung oder die Hydraulik, um **SICHERZUSTELLEN**, dass sich der Ausleger einwandfrei heben und senken lässt.
- **ÜBERPRÜFEN SIE**, dass am Patientenlifter kein Alarm (niedriger Ladestand Akku) ertönt, wenn die Handbedienung betätigt wird (nur bei Modellen mit Elektroantrieb). Wenn der Alarm ertönt, den Patientenlifter **NICHT** benutzen und sofort aufladen.
- Bei Patientenliftern mit Elektroantrieb die Funktion des Not-Aus-Knopfs **ÜBERPRÜFEN**.
- Bei Patientenliftern mit Hydraulikantrieb auf austretendes Hydrauliköl **ÜBERPRÜFEN**. Alle Leckagen müssen sofort einem Kundendienstmechaniker gemeldet werden und bis zur Überprüfung sollte der Patientenlifter nicht benutzt werden.
- **VERGEWISSERN SIE SICH** bei Patientenliftern mit abnehmbarem Mast, dass der Mast ganz eingerastet und der Verriegelungsknopf ganz angezogen ist.
- **ÜBERPRÜFEN** Sie die Gurte auf Ausfransen oder andere Schäden. Beschädigte oder verschlissene Gurte **NICHT** verwenden.
- **ÜBERPRÜFEN** Sie alle Befestigungsteile und Befestigungen und vergewissern Sie sich vor der Benutzung, dass sie alle gesichert sind.

Wartung, Inspektion und Prüfung:

Joerns Healthcare Ltd empfiehlt, mindestens alle sechs Monate eine gründliche Inspektion und Prüfung aller mobilen Oxford Patientenlifter und Zubehörteile, Gurte etc. durchzuführen. Die Untersuchung und die Prüfung müssen nach den unten angegebenen Empfehlungen und Verfahrensweisen durchgeführt werden. Joerns Healthcare empfiehlt, dass Wartung, Inspektion und zertifizierte Prüfungen nur vom autorisierten Fachhändler durchgeführt werden.

HINWEIS: Diese Empfehlungen entsprechen den Vorgaben der britischen Vorschriften zur Arbeitssicherheit für Hebevorrichtungen und Hebevorrichtungen, „No. 2307 Health and Safety: The Lifting Operations and Lifting Equipment Regulations 1998“. Diese Vorschriften gelten in Großbritannien. Außerhalb von Großbritannien erkundigen Sie sich bitte nach den anwendbaren Vorschriften.

- **SPREIZBÜGEL:** Überprüfen Sie, dass sich der Spreizbügel ungehindert drehen und schwenken lässt. Überprüfen Sie den mittleren Drehpunkt auf Abnutzung. Überprüfen Sie, dass die Unterlegscheibe vorhanden und in gutem Zustand ist. Überprüfen Sie, dass er fest am Ausleger befestigt ist. Überprüfen Sie die Gurthaken am Spreizbügel und die Seitengurte, die mit dem Spreizbügel verwendet werden, auf übermäßige Abnutzung. Überprüfen Sie, dass die Haltescheiben für den Gurt angebracht sind und ordnungsgemäß funktionieren. Schmier Sie den Hauptaufhängepunkt und den mittleren Drehpunkt mit einem leichten Schmierfett oder -öl auf Mineralölbasis.
- **AUSLEGER:** Überprüfen Sie, dass der Ausleger sicher am Mast befestigt ist. Stellen Sie sicher, dass sich der Ausleger nur geringfügig seitlich bewegen und sich frei auf dem Lager des Auslegers drehen lässt. Überprüfen Sie, dass der Ausleger zentriert ist und keine Anzeichen von Schäden aufweist. Überprüfen Sie, dass der Verstellmotor oder die Hydraulik sicher am Ausleger befestigt ist.
- **MAST:** Überprüfen Sie die Funktion der Verriegelungsvorrichtung für den Mast. Vergewissern Sie sich, dass der Mast ganz in die Aufnahme eingerastet ist. Überprüfen Sie, dass der untere Verstellmotor oder die Hydraulik sicher befestigt ist.
- **SMART MONITOR (nur Modelle mit Elektroantrieb):** Überprüfen Sie die Funktion der Not-Aus-Taste. Überprüfen Sie, dass der richtige Anschluss in die Buchse an der Handbedienung eingesteckt ist. Überprüfen Sie die Funktion der Handbedienung. Überprüfen Sie die redundanten Bedienelemente und dass sie ordnungsgemäß funktionieren.
- **EINSTELLEN DER FAHRGESTELBREITE:** Überprüfen Sie, dass die Gestänge am Fahrgestell gesichert sind. Betätigen Sie die Pedale zum Verstellen des Fahrgestells oder die Bedienelemente an der Handbedienung (nur bei Modellen mit Elektroantrieb), um zu überprüfen, dass das Fahrgestell gleichmäßig öffnet und schließt. Wenn die Gestänge des Fahrgestells beschädigt sind, sollten sie ausgewechselt werden. Überprüfen Sie, dass der Verstellmechanismus des Fahrgestells in allen offenen und geschlossenen Stellungen ordnungsgemäß verriegelt/einrastet. **WARTUNG:** Schmier Sie den Verstellmechanismus für das Fahrgestell mit einem leichten Schmierfett auf Mineralölbasis.

HINWEIS: Um das Schmierfett zu erleichtern, sollte der Mast vom der Querstrebe abgenommen und das Schmierfett von der Innenseite der Mastaufnahme aufgebracht werden (gilt nur für den Betrieb mit Fußpedal).

- **DREHPUNKTE AM FAHRGESTELL:** Überprüfen Sie, dass die Drehpunkte des Fahrgestells gesichert sind und das Fahrgestell sich ungehindert drehen lässt. Alle Fälle von Schwergängigkeit müssen untersucht werden. Demontieren Sie die Drehpunkte des Fahrgestells und schmier Sie sie mit einem leichten Schmierfett auf Mineralölbasis. Vergewissern Sie sich, dass kein übermäßiges Spiel in den Drehpunkten des Fahrgestells vorliegt.

- **LAUFROLLEN:** Überprüfen Sie, dass alle Laufrollen fest mit dem Fahrgestell verbunden sind. Überprüfen Sie, dass sich die Laufrollen und die Räder ungehindert drehen können. Entfernen Sie alle Ansammlungen von Fäden, Haaren oder Fusseln. Bei Bedarf mit einem leichten Schmierfett auf Mineralölbasis oder einem Silikonspray schmieren. Überprüfen Sie, dass die Bremsen richtig funktionieren. Überprüfen Sie, dass sich alle vier Laufrollen fest auf dem Boden befinden.
- **VERSTELLMOTOREN (nur für Modelle mit Elektroantrieb):** Bei Verstellmotoren ist keine Wartung erforderlich, es muss nur geprüft werden, dass sie richtig funktionieren und keine ungewöhnlichen Geräusche feststellbar sind. Vergewissern Sie sich, dass alle Befestigungspunkte gesichert sind. Überprüfen Sie, dass der Quetschutz funktioniert (nur bei Hubverstellmotor). Wenn Sie sich nicht sicher sind, benutzen Sie das Gerät NICHT und lassen Sie es von einer qualifizierten Person oder einem autorisierten Oxford Kundendienst überprüfen.
- **ABSENKEN/ANHEBEN IM NOTFALL:** Überprüfen Sie die redundanten Bedienelemente zum Anheben/Absenken und die mechanische Notfallabsenkungsfunktion (falls eingebaut) mit der maximal zulässigen Last am Ende des Auslegers. Bitte beachten Sie, dass die Überprüfung der Funktion der Notfallabsenkung mit Hilfe einer Federwaage nicht richtig funktioniert.
- **HYDRAULIK:** Bei der Hydraulik ist keine Wartung erforderlich, es muss nur geprüft werden, dass sie in beide Richtungen ordnungsgemäß funktioniert und dass kein Hydrauliköl ausläuft. Überprüfen Sie den Kolben auch auf Lufteinschlüsse/Schwammigkeit.
- **AKKUS (Nur für Modelle mit Elektroantrieb):** Die Akkus sind in der Akkueinheit untergebracht und außer regelmäßigem Laden gemäß der Ladeanleitung ist keine Wartung erforderlich.
- **REINIGUNG:** Verwenden Sie zum Reinigen herkömmliche Seife und Wasser und/oder Desinfektionsmittel für harte Oberflächen. Starke chemische Reinigungsmittel oder Scheuermittel sollten nicht verwendet werden, da diese die Oberfläche des Lifters angreifen. Setzen Sie die elektrischen Teile keiner Feuchtigkeit aus. Nach der Reinigung sollte das Gerät gründlich getrocknet werden.
- **GURTE:** Auf Abnutzung und Ausfransen überprüfen. Beschädigte Gurte oder Gurte, die Anzeichen von Abnutzung zeigen, NICHT verwenden.
- **BELASTUNGSPRÜFUNG:** Die Belastungsprüfung muss gemäß den Prüfverfahren des Herstellers und der in EN ISO 10535:2006 - Anhang B - Periodische Überwachung B1 angegebenen Vorschrift durchgeführt werden - siehe unten für einen Auszug. Es wird dringend empfohlen, die Prüfung von einem autorisierten Fachhändler durchführen zu lassen.

EN ISO 10535:2006

Anhang B (Informativ)

Periodische Überwachung

B. 1 Die periodische Überwachung des Patientenlifters sollte in den vom Hersteller empfohlenen Intervallen durchgeführt werden, jedoch mindestens einmal im Jahr. Die periodische Überwachung bedeutet eine Sichtprüfung (vor allem des Tragwerks und des Hubwerks mit Anbaugeräten, Bremsen, Bedienelementen, Sicherheitsvorrichtungen und Personstützsystemen des Patientenlifters) sowie alle erforderlichen Funktionsprüfungen und Wartungsmaßnahmen, z.B. Einstellen der Bremsen, Anziehen von Befestigungsteilen.

Bei allen Überwachungen ist eine Prüfung der maximalen Tragfähigkeit durch mindestens einen (1) Hubvorgang mit Höchstlast durchzuführen.

- **BESCHEINIGUNG:** Wenn die Belastungsprüfung erfolgreich war, stellt der autorisierte Fachhändler eine Prüfbescheinigung aus. Die Bescheinigung ist sechs Monate lang gültig.

ENTSORGUNG AM ENDE DER LEBENSDAUER:

Akku: Alle Akkus im Produkt und im eventuell vorhandenen Zubehör müssen separat dem Recycling zugeführt werden. Akkus sind gemäß den vor Ort oder landesweit geltenden Vorschriften zu entsorgen.

Gurte: Gurte und dazugehörige Materialien und Zubehör sind gemäß den vor Ort oder landesweit geltenden Vorschriften als brennbare Abfälle zu sortieren.

9. Technische Daten

In den nachfolgenden Zeichnungen sind wichtige Abmessungen für die Produktreihe von Oxford Classic Patientenliftern dargestellt. Die genauen Abmessungen für jeden Patientenlifter sind auf der nächsten Seite angegeben.

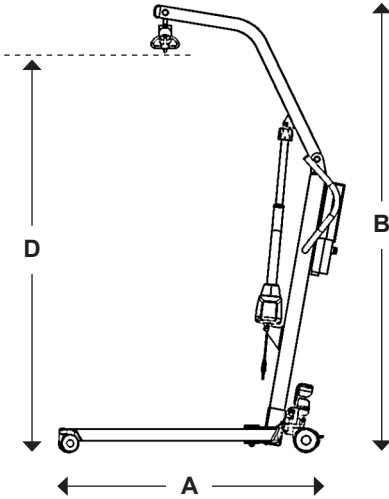


Fig. 22

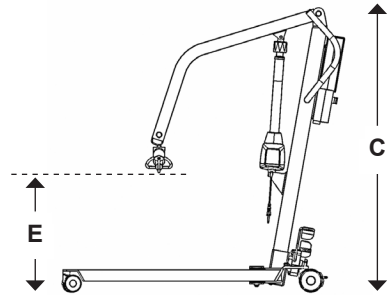


Fig. 23

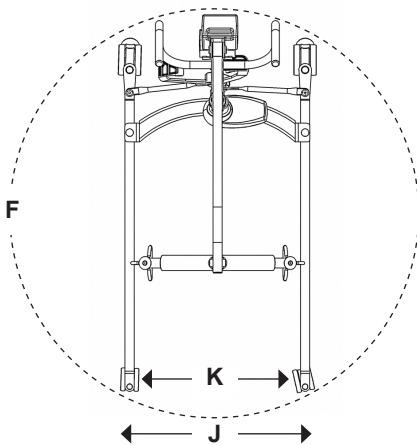


Fig. 24

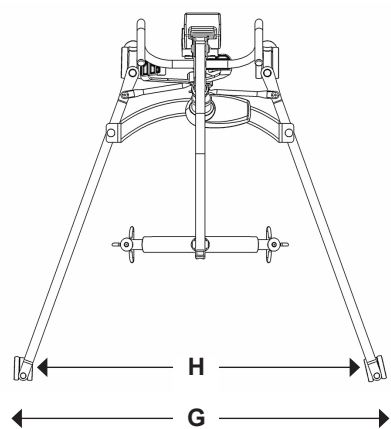


Fig. 25

	MINI 140		MIDI 180	
	Elektrisch	Hydraulisch	Elektrisch	Hydraulisch
Höchstlast	140 kg	140 kg	180 kg	180 kg
Länge (A)	1175 mm	1175 mm	1225 mm	1225 mm
Maximale Gesamthöhe (B)	1730 mm	1730 mm	1840 mm	1840 mm
Mindestgesamthöhe (C)	1230 mm	1230 mm	1240 mm	1240 mm
Spreizbügel max. Höhe (D)	1545 mm	1560 mm	1660 mm	1630 mm
Spreizbügel Mindesthöhe (E)	530 mm	540 mm	525 mm	500 mm
Höhe des Spreizbügels bei maximaler Tragweite	1000 mm	1000 mm	1060 mm	1060 mm
Tragweite bei maximaler Höhe*	420 mm	370 mm	420 mm	470 mm
Tragweite bei Mindesthöhe*	400 mm	420 mm	440 mm	460 mm
Maximale Tragweite	565 mm	565 mm	656 mm	656 mm
Wenderadius (F)	1150 mm	1150 mm	1235 mm	1235 mm
Fahrgestell offen (äußere Breite) (G) (Innere Breite) (H)	1060 mm 1000 mm	1060 mm 1000 mm	1170 mm 1070 mm	1170 mm 1070 mm
Fahrgestell geschlossen (Äußere Breite) (J) (Innere Breite) (K)	600 mm 540 mm	600 mm 540 mm	600 mm 540 mm	600 mm 540 mm
Gesamthöhe des Fahrgestells	100 mm	100 mm	100 mm	100 mm
Bodenabstand	25 mm	25 mm	25 mm	25 mm
Doppelaufrollen vorne	75 mm	75 mm	75 mm	75 mm
Laufrollen hinten mit Bremse	100 mm	100 mm	100 mm	100 mm

Gewichte:				
Mast + Ausleger inkl. aller Befestigungsteile	17,5 kg	17,5 kg	20,5 kg	20,5 kg
Grundgestell	11 kg	11 kg	11,5 kg	11,5 kg
Montierte Einheit	28,5 kg	28,5 kg	32 kg	32 kg
Akku	2,9 kg	-	2,9 kg	-

* Tragweite = Mitte des Spreizbügels bis Vorderseite des Masten

	MAJOR 200		MAXI 180
	Elektrisch	Hydraulisch	Elektrisch
Höchstlast	200 kg	200 kg	180 kg
Länge (A)	1300 mm	1300 mm	1315 mm
Maximale Gesamthöhe (B)	1930 mm	1930 mm	2150 mm
Mindestgesamthöhe (C)	1380 mm	1380 mm	1560 mm
Spreizbügel max. Höhe (D)	1715 mm	1705 mm	1970 mm
Spreizbügel Mindesthöhe (E)	565 mm	525 mm	780 mm
Höhe des Spreizbügels bei maximaler Tragweite	1200 mm	1200 mm	1420 mm
Tragweite bei maximaler Höhe*	610 mm	620 mm	550 mm
Tragweite bei Mindesthöhe*	515 mm	510 mm	540 mm
Maximale Tragweite	720 mm	720 mm	730 mm
Wenderadius (F)	1310 mm	1310 mm	1310 mm
Fahrgestell offen (äußere Breite) (G) (Innere Breite) (H)	1230 mm 1140 mm	1230 mm 1140 mm	1230 mm 1140 mm
Fahrgestell geschlossen (Äußere Breite) (J) (Innere Breite) (K)	660 mm 580 mm	660 mm 580 mm	660 mm 580 mm
Gesamthöhe des Fahrgestells	100 mm	100 mm	100 mm
Bodenabstand	15 mm	15 mm	15 mm
Doppellaufrollen vorne	75 mm	75 mm	75 mm
Laufrollen hinten mit Bremse	100 mm	100 mm	100 mm

Gewichte:			
Mast + Ausleger inkl. aller Befestigungsteile	23 kg	23 kg	24 kg
Grundgestell	19 kg	19 kg	19 kg
Montierte Einheit	42 kg	42 kg	43 kg
Akku	2,9 kg	-	2,9 kg

* Tragweite = Mitte des Spreizbügels bis Vorderseite des Masten

Angaben zur Elektrik:

Akkus..... 2 x 12 V, aufladbar, geschlossene Blei/Säure-
 Akkukapazität..... 2,9 Ah
 Eingangsspannung des Ladegeräts (Nennwert)..... 100-240V AC/24 VDC 50/60 Hz. Max. 400 MA
 Ausgangsspannung des Ladegeräts (Nennwert)..... 29,5 VDC. Max 19W

Schutz gegen Stromschlag:

Ladegerät Klasse II
 Lift..... Interne Stromquelle

Stoßfestigkeit:

Ladegerät Typ B
 Patientenlifter Typ B

Umgebungsbedingungen:

Außerhalb dieser Umgebungsbedingungen können Funktionsfähigkeit und Sicherheit unter Umständen beeinträchtigt werden.

Betrieb:

Temperatur 5°C bis 40°C
 Luftfeuchtigkeit 20% - 90% @ 30°C (nicht kondensierend)
 Luftdruck..... 700 - 1060 hpa
 Schalldruckpegel 55dB

Lagerung:

Temperatur -10°C bis +50°C
 Luftfeuchtigkeit 20% - 90% @ 30°C (nicht kondensierend)
 Luftdruck..... 700 - 1060 hpa

IP Schutzklassen:

Steuerkasten IPX4
 Verstellmotor IPX4
 Externes Ladegerät IPX5
 Akku IPX5
 Handbedienung IPX5

Einschaltdauer:

Verstellmotor 10% (2 Min. / 18 Min.)
 Akku 10% (2 Min. / 18 Min.)

Wichtige Symbole:

Die folgenden Symbole werden am Ladegerät, am Steuerkasten und am Akku verwendet:



Bei diesem Produkt handelt es sich um ein Medizinprodukt gemäß der EU-Verordnung 2017/745 über Medizinprodukte.



Medizinisches elektrisches Gerät, Typ B, gemäß EN 60601-1



Geräte der Klasse 2



Die Akkus dürfen nicht als Hausmüll entsorgt werden. Akkus sind gemäß den vor Ort oder landesweit geltenden Vorschriften zu entsorgen.



Die elektronischen Bauteile dürfen nicht als Hausmüll entsorgt werden.



Für den Gebrauch im Haus



ACHTUNG, siehe die beigelegten Unterlagen



Lesen Sie vor der Verwendung die Bedienungsanleitung

WEEE-Registriernummer der Herstellers: WEE/GG0464RZ

10. Wartung, Reparaturen, Inspektionen und Tests

Joerns Healthcare verfügt über ein Netz von autorisierten Fachhändlern und Kundendienstvertretungen, die Ihre Anfragen in Bezug auf Kauf, Garantie, Reparaturen und Wartung gerne beantworten. Wir empfehlen, die Inbetriebnahme unserer Produkte von Ihrem autorisierten Fachhändler oder Ihrer Kundendienstvertretung durchführen zu lassen.

Der Fachhändler oder die Kundendienstvertretung sind für das Garantieprogramm zuständig, deshalb ist es wichtig, dass Sie Namen, Adresse und Telefonnummer notieren, damit Sie sich an diesen bzw. diese wenden können, falls ein Problem auftritt. Wenn Sie sich nicht sicher sind, wo Ihr Patientenlifter gekauft wurde, teilen Sie Joerns Healthcare die Seriennummer des Patientenlifters mit und wir finden den Lieferanten für Sie.

Alle Garantieansprüche sind von der ordnungsgemäßen Benutzung und Wartung gemäß dem Benutzerhandbuch abhängig, das mit allen Patientenliftern mitgeliefert wird. Die Garantie gilt nicht für Schäden, die durch die Benutzung in ungeeigneten Umgebungsbedingungen oder dadurch verursacht wurden, dass die Wartung nicht gemäß dem Benutzer- und Wartungshandbuch durchgeführt wurde. Die Ihnen zustehenden gesetzlichen Rechte bleiben davon unberührt.

DENKEN SIE DARAN: Wenden Sie sich für Käufe, Reparaturen, Wartung und zertifizierte Wartung immer an Ihren autorisierten Fachhändler oder an Ihre Kundendienstvertretung.

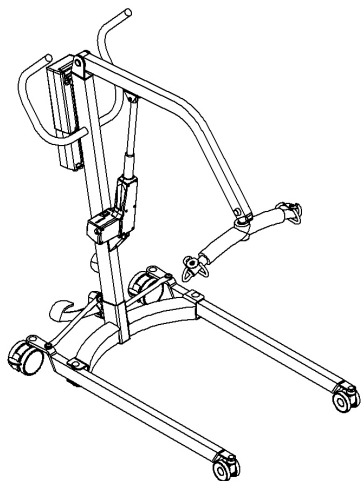
Ihr Fachhändler:

Índice

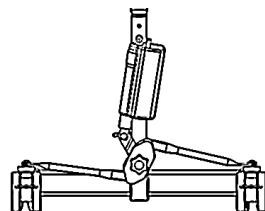
1.	Línea de elevadores Classic de Oxford.....	87
2.	Introducción: Acerca del sistema de elevación.....	89
3.	Instrucciones de ensamble y encargo.....	90
4.	Precauciones de seguridad.....	94
5.	Monitor Smart™ y control de mano.....	96
6.	Instrucciones de uso.....	100
7.	Instrucciones de carga (Solo para modelos eléctricos).....	103
8.	Programa de mantenimiento y Lista de verificaciones diarias.....	105
9.	Especificaciones técnicas.....	108
10.	Garantía.....	113

1. Línea de elevadores Classic de Oxford

Oxford Mini 140:



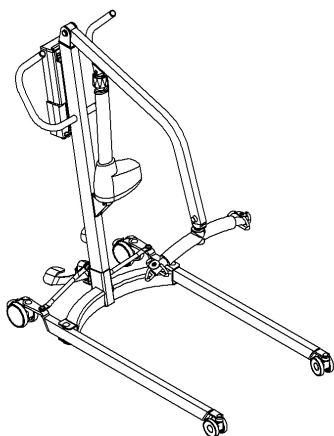
Brazo hidráulico
(Reemplaza al
actuador de los
modelos hidráulicos)



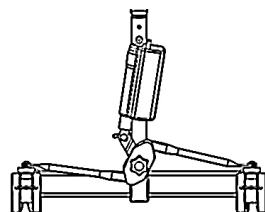
Actuador pata
(Reemplaza el pedal
de los modelos de
pata eléctrica)

Fig. 1

Oxford Midi 180:



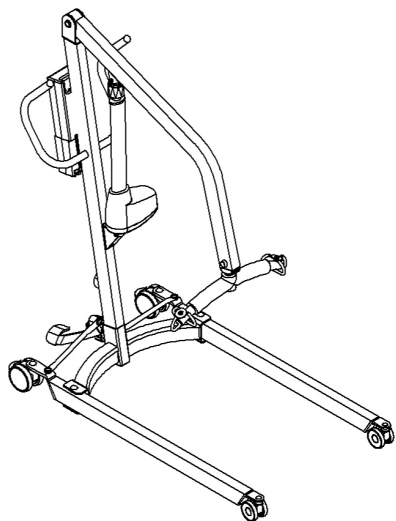
Brazo hidráulico
(Reemplaza al
actuador de los
modelos hidráulicos)



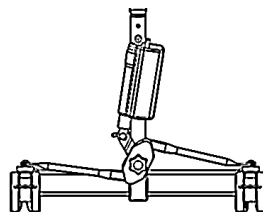
Actuador pata
(Reemplaza el pedal
de los modelos de
pata eléctrica)

Fig. 2

Oxford Major 200:



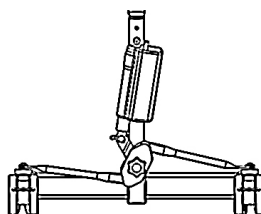
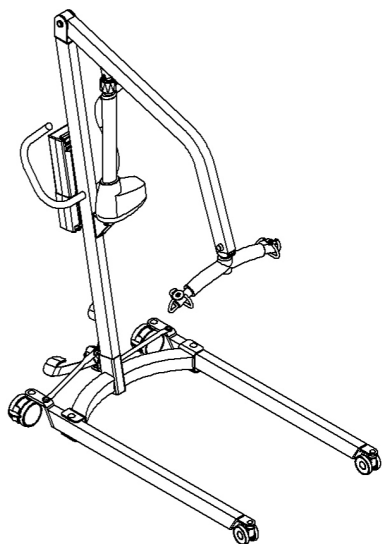
Brazo hidráulico
(Reemplaza al
actuador de los
modelos hidráulicos)



Actuador pata
(Reemplaza el pedal
de los modelos de
pata eléctrica)

Fig. 3

Oxford Maxi 180:



Actuador pata
(Reemplaza el pedal
de los modelos de
pata eléctrica)

Fig. 4

2. Introducción: Acerca del sistema de elevación

La línea de elevadores Classic de Oxford se presenta tanto en opciones de control hidráulico como eléctrico, a excepción del modelo Maxi 180, que solo se presenta con control eléctrico. Este manual cubre las dos opciones.

Antes desmantelar parcialmente cada elevador para embalarlo y despacharlo, la unidad se ensambla completamente, se la somete a pruebas de resistencia de carga y recibe los certificados correspondientes. El embalaje consiste en una robusta caja de cartón de construcción fuerte que se utiliza tanto para mercados de exportación como local a fin de garantizar el arribo seguro del elevador.

Documentos adjuntos:

Junto con cada sistema de elevación, se provee una serie de documentos dentro en una carpeta, la que tendrá que guardar en un sitio seguro para referencia en el futuro.

- Certificado de pruebas
- Manual del usuario

El CERTIFICADO DE PRUEBAS constituye un documento importante y su registro del seguro lo solicitará. Tiene una validez de 6 meses y, una vez superada esa fecha, debe hacer revisar el elevador para el siguiente período de seis meses. Su distribuidor autorizado puede llevar a cabo las tareas de control, mantenimiento y las pruebas LOLER periódicas. Compruebe que su sistema de elevación esté incluido en el programa de mantenimiento del distribuidor autorizado.

⚠ ADVERTENCIA

Antes de cada uso diario del elevador, debe llevar a cabo la inspección detallada en la lista de verificaciones diarias, presente en este manual.

La marca CE:

Los elevadores Classic de Oxford llevan la marca "CE" y cumplen con las siguientes directivas correspondientes:



- Directiva de dispositivos médicos (93/42 EEC)
- Directiva de CEM (89/336/EEC) (solo productos eléctricos)
- Directiva de bajo voltaje (73/23/CEE) (solo productos eléctricos)

Declaración de uso previsto:

El uso previsto para este dispositivo de elevación es la transferencia segura de un individuo de una superficie de descanso a otra (como de una cama a una silla de ruedas, por ejemplo). No se recomienda el traslado de una persona en una eslinga durante distancias. Los elevadores Classic de Oxford adaptan a pacientes en posición SENTADA, SENTADA y REPOSTADA Y REPOSTADA.

⚠ ADVERTENCIA

Solamente personal de salud capacitado y competente debería operar los elevadores de pacientes Oxford.

Vida útil estipulada previa al mantenimiento:

Los elevadores móviles Classic de Oxford están diseñados y evaluados para durar un período mínimo de siete (7) años previamente a necesitar algún tipo de mantenimiento, siempre y cuando respete el uso previsto y cumpla con las tareas de mantenimiento establecidas en este manual. El uso diferente al establecido en estas instrucciones, podría comprometer la vida útil del producto.

Notificación de incidentes graves:

En caso de que se produzca un incidente grave durante el uso de este producto, que afecte al paciente y/o al proveedor de cuidados, debe comunicarse con el fabricante del producto o el distribuidor autorizado. Si el incidente se produce dentro de la Unión Europea (UE), también se debe informar a la autoridad local competente del Estado miembro.

3. Instrucciones de ensamble y encargo

Coloque la caja de cartón sobre una superficie de trabajo despejada y ábrala con cuidado. La caja contiene:

- Chasis principal rodado
- Carpeta con documentos
- Conjunto de mástil y brazo
- Cargador de batería (solo para elevadores eléctricos)
- Juego de baterías (solo para elevadores eléctricos)
- Control de mano (solo para elevadores eléctricos)

1. Extraiga todas las piezas de la caja y colóquelas sobre el piso; procure proteger el acabado de pintura para que no se dañe.

⚠ ADVERTENCIA

Algunas de las piezas son pesadas y deberán levantarse con cuidado. Puede que necesite ayuda con los ensambles más pesado.

2. Aplique los frenos de las ruedas giratorias delanteras pulsando las palancas correspondientes (Fig. 5) hacia abajo.
3. Inserte el conjunto de piezas del mástil en el chasis. El mástil se aloja en la toma rectangular ubicada en la parte superior central del chasis. (Fig. 5 - mostrado en el modelo de pata manual).

⚠ ADVERTENCIA

Evite atraparse los dedos. Mantenga los dedos alejados del extremo del mástil al insertarlo en el toma correspondiente.

Para evitar cualquier daño inadvertido al actuador de apertura de las patas, ASEGÚRESE de que las patas estén en la posición abierta antes de insertar el mástil en el enchufe en las variantes de patas eléctricas.

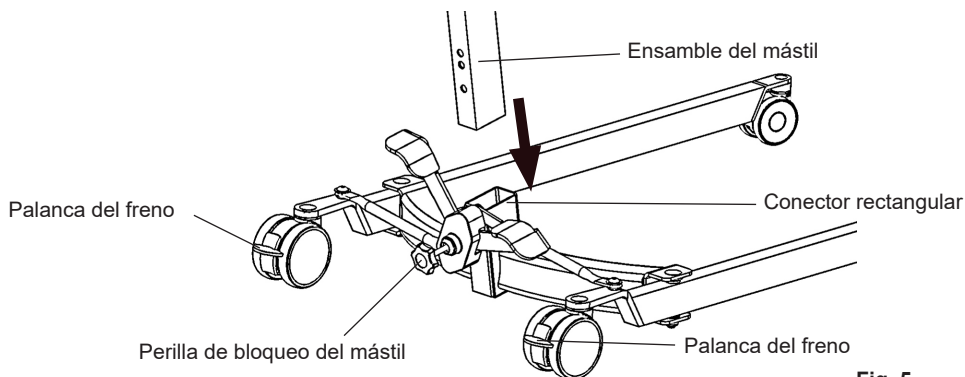


Fig. 5

4. Una vez que el mástil está insertado en el toma, gire la perilla de sujeción del mástil (Fig. 5) hacia la derecha hasta que esté ajustada por completo.

⚠ ADVERTENCIA

La etiqueta ubicada en el costado del mástil indica que este está completamente insertado.

hasta ubicarlo en su lugar, sobre el soporte de pivote de la pata; asegúrese de que los orificios correspondientes estén alineados. Inserte el pasador de horquilla; asegúrese de que las arandelas plásticas permanezcan en su lugar. Para terminar, coloque la pinza de muelle por el orificio del pasador de horquilla y confirme que ambas piezas hayan quedado correctamente instaladas.

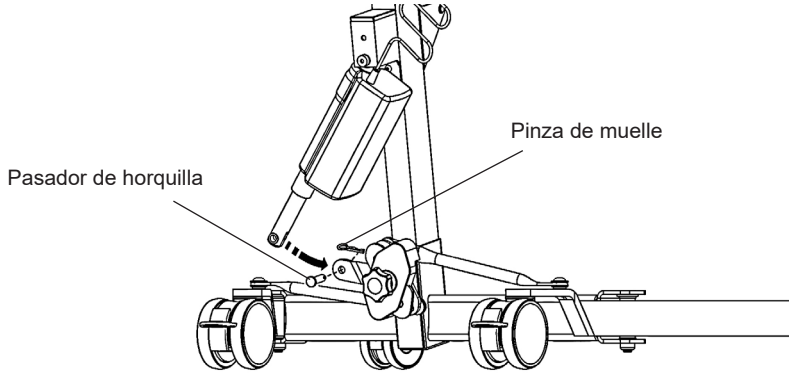


Fig. 6

Funcionamiento de la pata a pedal: Si el elevador cuenta con patas accionadas a pedal, libere los frenos y confirme que las patas abren y cierran de manera satisfactoria al presionar los pedales (Fig. 7). Sujete la empuñadura para mayor estabilidad.

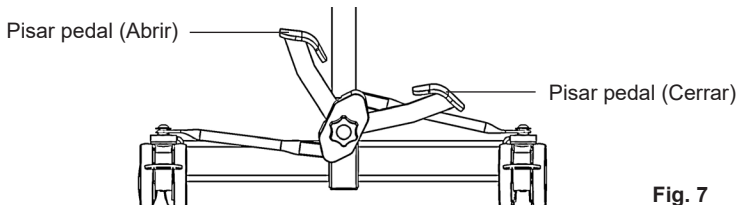


Fig. 7

Solo para modelos eléctricos:

- Sujete la batería dentro del panel de control y asegúrese de que el botón de parada de emergencia, ubicado en el control, esté en posición hacia fuera (ON/Encendido) tras girarlo hacia la derecha (Fig. 8).

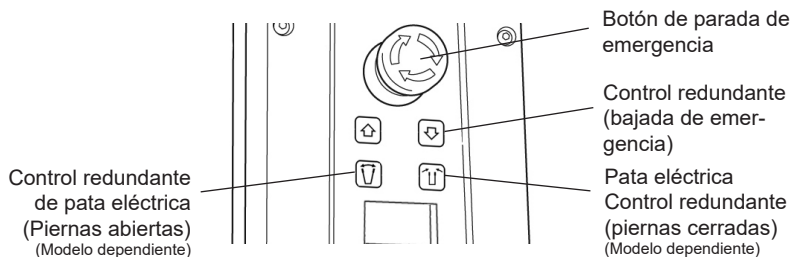


Fig. 8

- Pulse los botones hacia ARRIBA y hacia ABAJO del control de mano; confirme que el brazo sube y baja (Fig. 9).

NOTA: Si su elevador cuenta con pata eléctrica, confirme que las patas abren y cierran pulsando los botones de ABRIR y CERRAR del control de mano.

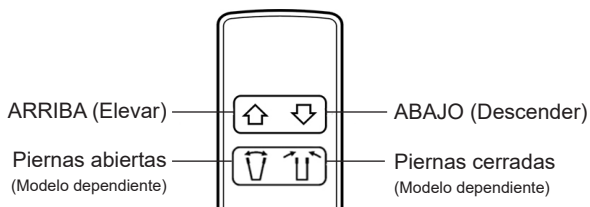


Fig. 9

- Antes del uso inicial, un concesionario autorizado debe poner el contador de servicios en cero.
- El elevador ya está listo para usar.

Solo para modelos hidráulicos:

6. Cierre la válvula de liberación de la unidad hidráulica (Fig. 10) girando el pomo negro totalmente hacia la derecha.

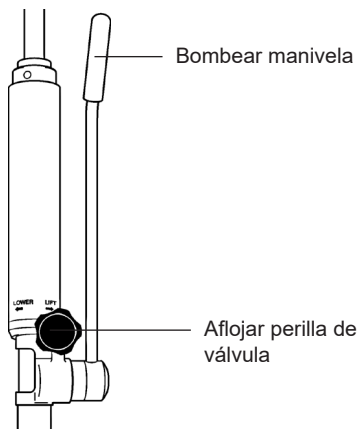


Fig. 10

NOTA: La válvula de liberación solo requiere ajustes mínimos para funcionar y solo debe cerrarla con los dedos.

⚠ ADVERTENCIA

NO aplique una cantidad excesiva de fuerza sobre el pomo de la válvula de liberación, ya que podría provocar daños.

7. Bombee la manivela (Fig. 10) de la unidad hidráulica y confirme que el sistema eleva el brazo.
8. Abra la válvula de liberación totalmente en el sentido contrario al reloj y verifique que el brazo desciende.

NOTA: Un brazo sin carga no descenderá bajo su propio peso; en cambio, será necesario aplicar un poco de presión sobre el brazo antes de bajarlo.

⚠ ADVERTENCIA

La válvula de liberación está completamente abierta y se topa con un final positivo en menos de dos giros del pomo. NO fuerce la válvula más allá del tope final, ya que de lo contrario podría dañarla.

9. Cierre la válvula de liberación girando el pomo negro hacia la derecha.
10. El elevador ya está listo para usar.

4. Precauciones de seguridad

Por favor, lea y siga las precauciones de seguridad que figuran más abajo. El funcionamiento y uso del elevador para pacientes Oxford es sencillo y fácil de comprender. Siguiendo estas precauciones básicas de seguridad, las operaciones de elevación serán fáciles y estarán libres de problemas.

LEA Y COMPRENDA EL MANUAL DE INSTRUCCIONES DEL USUARIO ANTES DE UTILIZAR SU ELEVADOR “CLASSIC”

ADVERTENCIA: Información de seguridad importante sobre peligros que podrían ocasionar lesiones serias.

PRECAUCIÓN: Información para evitar daños al aparato.

NOTA: Información a la cual usted debe prestar atención especial.

▲ ADVERTENCIA

- **Solamente personal de salud capacitado y competente debería operar los elevadores de pacientes Oxford.**
- **SIEMPRE** planee las operaciones de elevación antes de comenzar.
- **SIEMPRE** revise la LISTA DE VERIFICACIONES DIARIAS antes de utilizar el elevador.
- Familiarícese **SIEMPRE** con los mandos y los dispositivos de seguridad de su grúa antes de iniciar el proceso de izado del paciente.
- **NO** utilice un arnés, a no ser que esté recomendado para su uso con el elevador.
- Compruebe **SIEMPRE** que el arnés, su tamaño y características son los adecuados para el paciente.
- **No** utilice **NUNCA** un arnés desgastado o deteriorado.
- Ajuste **SIEMPRE** el arnés siguiendo sus instrucciones de uso (instrucciones del usuario).
- Compruebe **SIEMPRE** que la carga útil de seguridad de la grúa se ajusta al peso del paciente.
- Efectúe **SIEMPRE** las operaciones de izado siguiendo las instrucciones detalladas en este manual.
- **No** desconecte **NUNCA** un control o dispositivo de seguridad porque parecen acciones más fáciles para operar el elevador.
- **No** fuerce **NUNCA** un control o dispositivo de seguridad. Todos los controles son fáciles de utilizar y no requieren de excesiva fuerza física para su accionamiento. Si un control está trabajando con dificultad, seguramente haya una razón. Forzarlo solo causará tensión o daño en el elevador y podría poner en peligro la seguridad. Si tiene alguna duda, póngase en contacto con su proveedor de servicios autorizado de Oxford o Joerns Healthcare.
- **NO** levante al paciente con los frenos de las ruedas activados.
- **NO** intente desplazar el elevador empujando el mástil, el brazo o al paciente.

⚠ ADVERTENCIA

- **SIEMPRE** maneje el elevador utilizando las asas de empuje suministradas. **NO** intente aplicar más fuerza en el costado sobre las patas o el brazo del elevador con el fin de maniobrar el producto.
- Antes de proceder al traslado del paciente, se recomienda que éste se encuentre en una posición lo más cercana posible al suelo y cómoda.
- **NO** empuje el elevador cargado con el paciente a una velocidad que exceda un ritmo de paso lento de caminata (3 km/hora 0,8 metros/segundo).
- Utilice **SIEMPRE** el elevador sobre terreno llano y liso. En especial, si está cargada con el paciente.
- **NO** intente empujar o tirar de un elevador cargado para sortear un obstáculo en el piso, que las ruedas giratorias no pueden superar fácilmente.
- **NO** golpee el elevador cuando baje escalones, ya sea que estuviese cargado o no.
- **NO** intente utilizar un elevador cargado en una pendiente que exceda 1:12 (aproximadamente 5 grados). Joerns Healthcare recomienda solicitar la ayuda de una segunda persona al trasladar un paciente en una superficie con pendiente.
- **NO** deje nunca el elevador con el paciente en una superficie inclinada.
- **NO** utilice el elevador eléctrico en la ducha.
- **NO** cargue el elevador eléctrico en el cuarto de baño.
- **NO** levante a ningún paciente a menos que haya recibido la capacitación correcta y pueda hacerlo de manera eficiente.
- Su elevador es un dispositivo para elevar y trasladar pacientes. **NO** lo utilice, ni permita que lo utilicen, para otro fin que no sea el de elevación y traslado de pacientes.
- La línea Classic de Oxford no está diseñada para uso o almacenamiento continuo en lugares donde la condensación y la humedad son condiciones permanentes.
- La carga **MÍNIMA** necesaria para bajar el elevador de manera manual utilizando la función mecánica de descenso de emergencia equivale a 30 kg (si está instalada).

5. Monitor Smart y control de mano

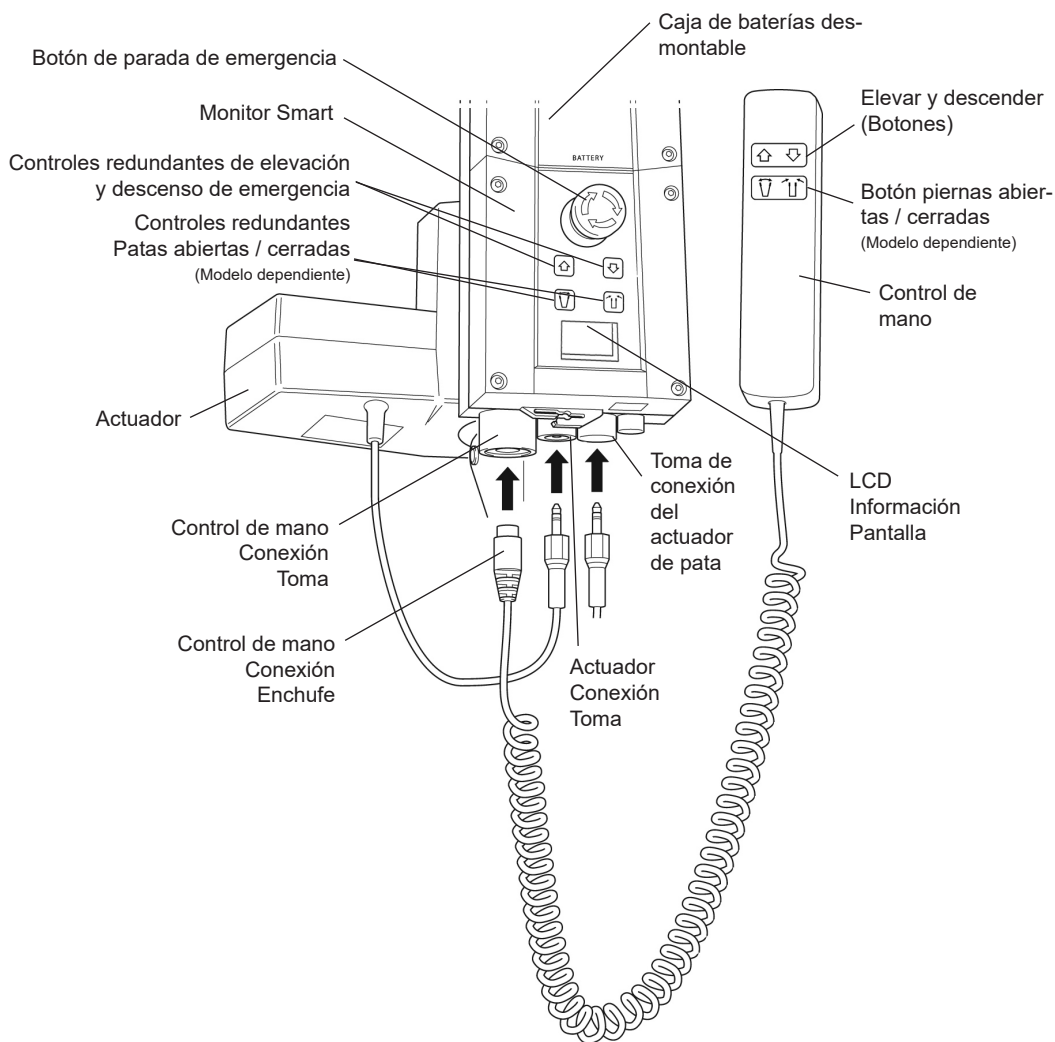


Fig. 11

Uso destinado:

El monitor inteligente, Oxford Smart Monitor, es un sistema de control para los elevadores Oxford Mobile. El monitor inteligente almacena información útil sobre el mantenimiento del elevador disponible para consultar cuando sea necesario. Esta información sobre el mantenimiento incluye:

- Cantidad de ciclos de elevaciones de pacientes
- Total de trabajo ejecutado por el actuador
- Cantidad de sobrecargas de elevación (intentos de elevación por encima de la carga de trabajo máxima permitida)
- Cantidad de días desde el último intervalo de mantenimiento

El monitor Smart Oxford incorpora un microprocesador que permite leer los datos de mantenimiento a través de la pantalla LCD integrada.

Características:

- Recopilación de datos en el panel de control con datos visualizados en la pantalla LCD
- Contador de trabajo
- Contador de ciclos inteligente
- Indicador de tareas de mantenimiento
- Indicador de frecuencia de mantenimiento
- Información de sobrecarga
- Indicador de nivel de carga de las baterías de tres pasos

Beneficios:

- Mayor seguridad tanto para el paciente como para el proveedor de cuidados
- Datos de mantenimiento precisos con solo tocar un botón
- Vida útil del producto optimizada
- Facilidad para realizar tareas de mantenimiento tanto para ingenieros como para los técnicos

Pantalla LCD:

El monitor Smart Oxford incorpora un microprocesador que permite emitir la lectura de los datos de mantenimiento a través de la pantalla LCD integrada. Es posible emitir la lectura de los totales de los ciclos de elevación, los totales de trabajos realizados, de sobrecargas y la cantidad de días desde el último mantenimiento, datos que pueden utilizarse para evaluar el estado de el actuador de elevación de manera fácil y rápida (Fig. 12).

Puede acceder a esta información pulsando durante solo medio segundo el botón "ELEVAR" del control manual del usuario o el botón redundante "ELEVAR" del monitor inteligente Smart.

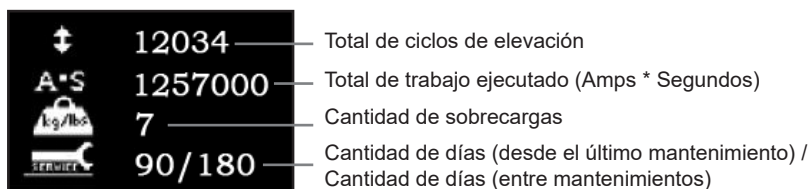


Fig. 12

Información sobre mantenimiento y uso:



Fig. 13

Cuando es momento de realizar el mantenimiento, aparecerá en la pantalla el símbolo correspondiente al mantenimiento (Fig. 13). Además, cuando está activado el control de mano del usuario, el monitor inteligente emitirá una señal sonora para avisar al usuario que se necesita una operación de mantenimiento.

El símbolo de mantenimiento aparecerá cada vez que pulse las teclas hacia arriba o abajo en el control de mano del usuario. Cuando aparezca el símbolo de mantenimiento, póngase en contacto de inmediato con su agente de servicio autorizado para organizar el mantenimiento.



Fig. 14

Si el elevador se detiene debido a una sobrecarga (si intenta levantar más peso de la carga máxima segura) aparecerá el símbolo de sobrecarga en la pantalla LCD (Fig. 14) y el elevador dejará de funcionar hasta que haya eliminado la carga adicional (por encima de la carga máxima segura).

⚠ ADVERTENCIA

Si la pantalla LCD del monitor inteligente hubiese registrado una sobrecarga, Joerns Healthcare recomienda que TODAS las tareas diarias de control se lleven a cabo en el elevador antes de su utilización (para obtener una lista de controles diarios, consulte el manual de usuario del elevador). Joerns Healthcare también recomienda que se ponga en contacto con su agente autorizado de servicios Oxford para obtener más orientación.

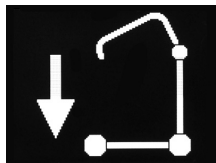
Controles redundantes integrados:

Fig. 15

Los controles redundantes integrados permiten que el elevador suba o baje en caso de emergencia (Fig. 15).



Fig. 16

Si su sistema de elevación incorpora tecnología de posicionamiento de piernas eléctrico, hay controles redundantes tanto para abrir como para cerrar las piernas. (Fig. 16).

Información sobre la batería:

Fig. 17

Si aparece el icono de la batería completa, significa que la batería está completamente cargada y lista para usar (Fig. 17).

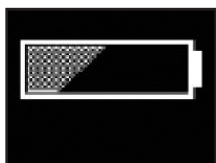


Fig. 18

Si aparece el icono de la batería a la mitad, significa que necesita cargar la batería (Fig. 18).

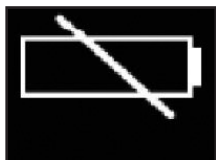


Fig. 19

Si aparece el icono de la batería vacía, significa que la batería carece de capacidad y debe cargarla de inmediato (Fig. 19).

⚠ ADVERTENCIA

A fin de evitar posibles daños permanentes en la batería, debe colocar la batería a cargar en cuanto la pantalla indique el símbolo de la batería a la mitad (Fig. 18).

6. Instrucciones de uso

⚠ ADVERTENCIA

Solamente personal de salud capacitado y competente debería operar los elevadores de pacientes Oxford.

1. **Ajuste de las patas:** Puede abrir las patas de los elevadores Classic de Oxford para acceder a los reposabrazos, sillas de ruedas y otros tipos de muebles. Para transferencias y recorridos por pasillos y aberturas estrechos, las patas del elevador tienen que estar en posición cerrada.

Funcionamiento de la pata eléctrica: Simplemente presione el botón apropiado en el control de mano para abrir o cerrar las patas. También puede usar las teclas programables de control redundante ubicadas en la parte anterior del panel de control, encima de la pantalla LCD.

Funcionamiento de la pata a pedal: Simplemente accione las almohadillas ubicadas en la parte inferior/trasera del mástil. Para abrir las patas, simplemente presione la almohadilla IZQUIERDA. Para cerrar las patas, simplemente presione la almohadilla DERECHA.

En cualquier caso, el paciente mismo puede llevar a cabo el ajuste desde el elevador.

2. **Ruedas y frenos:** El elevador cuenta con dos ruedas con frenos, los que se pueden aplicar al aparcar. Cada vez que realice una acción de elevación, las ruedas tienen que estar libres, sin los frenos; Así, el elevador podrá moverse hacia el centro de gravedad. Si los frenos están activados, entonces será el paciente el que se moverá hacia el centro de gravedad, con la consiguiente incomodidad.
3. **Dirección de desplazamiento (Avance):** La línea Classic de elevadores móviles está diseñada para avanzar mediante impulso utilizando las empuñaduras.

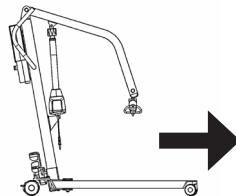


Fig. 20

4. **Tracción en línea recta (si está instalada):** Una de las ruedas giratorias traseras consta de un dispositivo de tracción en línea recta. Para activar dicho dispositivo, simplemente haga girar la barra en forma de 'U' sobre la rueda giratoria trasera. El dispositivo se activará de manera automática al desplazar el elevador.
5. **Elevación y descenso del brazo (modelos eléctricos):** El movimiento del brazo se consigue con un actuador eléctrico controlado por un sencillo control manual. El control manual tiene dos botones con las flechas ARRIBA y ABAJO para subir y bajar. El actuador se detiene automáticamente al llegar al límite del recorrido de ambas direcciones. El control manual se conecta a su correspondiente enchufe situado bajo la base de la caja de control. El control del mano consta de un soporte magnético para colocarlo de manera segura en el mástil o brazo cuando no está en uso.
6. **Parada de emergencia (Solo modelos eléctricos):** El botón rojo de parada de emergencia está ubicado en el panel de control y se activa al presionarlo. De esta forma, se corta toda la energía suministrada al elevador, que solo se reactivará al girarlo en el sentido contrario a las agujas del reloj y soltándolo.
7. **Controles redundantes:** Todos los elevadores Classic de Oxford están equipados con botones de elevación y descenso en el panel de control. Estos están ubicados debajo del botón de parada de emergencia y se pueden utilizar para bajar o subir al paciente si se produjese un fallo en el control de mano.

8. **Bajada de emergencia:** En caso de producirse un fallo eléctrico total, el actuador eléctrico contiene un dispositivo de descenso mecánico (CUBO ROJO). Para hacerlo funcionar, debe girar el dispositivo hacia la derecha. Esto producirá un descenso lento. Repita el proceso hasta haber descendido de manera segura.

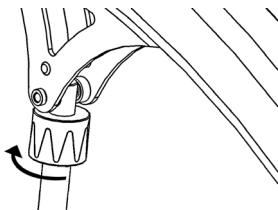


Fig. 21

⚠ ADVERTENCIA

Solo debe usar el dispositivo de descenso de emergencia en casos de producirse un fallo eléctrico. No debe utilizarse para descender el paciente con una frecuencia regular.

⚠ ADVERTENCIA

Si utiliza esta función, tendrá que llevar el elevador con un ingeniero competente, quien debe realizar una verificación general a posteriori.

⚠ ADVERTENCIA

El uso continuo del elevador después de usar la función de descenso de emergencia pueden comprometer la función de asistencia y seguridad del paciente.

9. **Baterías:** Las baterías están protegidas de la descarga completa mediante una ALARMA DE BAJO VOLTAJE. Esta alarma suena cuando las baterías necesitan recarga y se está utilizando el control de mano. No suena independientemente de si se utiliza el control de mano. NO IGNORE EST ALARMA DE ADVERTENCIA. Complete la operación de elevación y ponga a recargar la batería (consulte las instrucciones para cargarla).
10. **Elevación y descenso del brazo (modelos hidráulicos):** La elevación y el descenso del brazo se realizan mediante un sistema hidráulico accionado por dos controles sencillos. La válvula de liberación, que se identifica mediante un pomo negro de cabeza estriada y la palanca de bombeo, que es una palanca larga al lado de la unidad hidráulica.
- Para elevar el brazo, compruebe que la válvula de liberación esté cerrada. Cierre la válvula girando con delicadeza el pomo de cabeza estriada totalmente hacia la derecha. Una vez cerrada, bombee la palanca larga con un impulso parejo para lograr mayor efecto. Los impulsos se efectúan empezando con la palanca desde la posición vertical y forman un arco de 90 grados. Cuando no utilice la palanca, déjela en posición vertical.

⚠ ADVERTENCIA

NO fuerce la empuñadura más allá de los topes superior o inferior. Puede rotar la unidad hidráulica para poder usar la empuñadura desde cualquiera de los dos costados del elevador.

Para descender el brazo, gire la válvula de liberación hacia la izquierda. La válvula de liberación es progresiva; cuanto más abierta está, más rápido es el descenso. Asimismo, la válvula está restringida, de modo que incluso cuando se encuentra totalmente abierta, el descenso está controlado. Esta opción permite el descenso "sin manos".

Si abre la válvula de liberación apenas (un cuarto de giro), la velocidad lenta del descenso permitirá que el asistente ejecute esta acción "sin manos" mientras atiende o ayuda al paciente.

RECUERDE cerrar la válvula de liberación antes de comenzar las operaciones de elevación. La válvula de liberación solo requiere una presión leve para abrirla o cerrarla.

ADVERTENCIA

NO aplique una fuerza excesiva sobre la válvula de descarga para cerrarla ni para abrirla. No es necesario, y solo dañará la válvula.

11. **Arneses:** La eslinga seleccionada se acopla a los ganchos de la barra separadora. Cada eslinga se suministra con instrucciones que deberá seguir al pie de la letra.

La serie de elevadores Classic de Oxford se adapta a pacientes en posición SENTADA, SENTADA y RECOSTADA Y RECOSTADA. Las eslingas adecuadas para estos elevadores son las siguientes:

- Oxford Quickfit
- Oxford Quickfit Deluxe
- Oxford Access
- Oxford Full Back
- Oxford Long Seat
- Oxford Silkfit

Al seleccionar una eslinga de colección de Oxford, compruebe que sea el modelo adecuado para el paciente que va a elevar mediante una evaluación minuciosa de los riesgos antes de efectuar el traslado.

NOTA: Si desea instrucciones más detalladas sobre la instalación, consulte la guía del usuario provista con cada arnés.

ADVERTENCIA

Joerns Healthcare recomienda que verifique las eslingas con regularidad; sobre todo antes de usarlas, en caso de presentar signos de desgaste o daño. NO utilice arneses desgastados o dañados.

ADVERTENCIA

OXFORD RECOMIENDA UTILIZAR PRODUCTOS AUTÉNTICOS OXFORD. Los sistemas Oxford de arneses y elevación tienen un diseño que los hace compatibles entre sí. Para obtener información y consejos específicos acerca del uso y compatibilidad de los arneses, consulte la etiqueta del arnés, o bien comuníquese con su distribuidor local de mercado o con Joerns Healthcare.

ADVERTENCIA

Consulte la capacidad de peso máximo para llevar a cabo elevaciones. La capacidad del arnés está limitada por la capacidad de peso máximo del elevador.

NOTA: Para mayor información sobre la elección de la eslinga o arnés correctos, visite www.joerns.co.uk

7. Instrucciones de carga (Solo modelos eléctricos)

Cuando la central eléctrica necesita recarga, se la extrae del elevador y se conecta a una unidad externa de carga.

Joerns Healthcare recomienda disponer de otra central eléctrica, de manera que una esté recargada continuamente.

1. Extraiga la central eléctrica del elevador. La central está sujeta por un simple pestillo en la parte superior de la misma. Levante el pestillo y la central eléctrica quedará liberada.
2. Conecte la central eléctrica con la unidad de carga. La colocación y sujeción de la central eléctrica con el cargador es la misma que para el elevador.
3. Conecte el enchufe del cargador a una toma de electricidad y encienda la fuente de energía.
4. La acción de carga es automática y llenará totalmente las baterías en un período de entre cuatro (4) horas. **Nota:** Incluso si deja el cargador conectado durante períodos extensos no permitirá que se produzca una sobrecarga en las baterías.

a) Luz verde: Indica que el suministro eléctrico está encendido.

b) Luz amarilla: Indica que la batería se está cargando.

c) Las baterías estarán totalmente cargadas cuando se apague la luz amarilla.

Nota: Se recomienda que cargue la batería no bien reciba el producto.

5. Para hacer funcionar de nuevo el elevador, APAGUE la red de suministro eléctrico y desconecte el cargador de la central eléctrica. Monte la central eléctrica en el elevador y compruebe que el pestillo que sujeta la caja en su sitio esté perfectamente engranado. Al quedar perfectamente engranado, oirá un "clic". Si bien la carga de los elevadores eléctricos Oxford es simple sencilla, es importante que siga las instrucciones de carga con precaución. Preste especial atención a los puntos siguientes, que le ayudarán a evitar problemas con las baterías descargadas.

ADVERTENCIA

- La batería, el cargador, el control de mano y la caja de control **NO** deben ser abiertos por personal no autorizado. (Comuníquese con el distribuidor por reparaciones y reclamos de la garantía).
- **NO** toque las terminales de la batería ni el cargador.
- **MANTENGA** las baterías completamente cargadas. Ponga la batería a cargar siempre que no esté utilizando el dispositivo. Si le resultase más práctico, póngala a cargar durante la noche. El cargador no permitirá que las baterías se sobrecarguen.
- **NUNCA** permita que las baterías se gasten por completo. No bien suene la alarma de advertencia, complete la operación de elevación y ponga a cargar la batería.
- A fin de evitar posibles daños permanentes en la batería, debe colocar la batería a cargar en cuanto la pantalla indique el símbolo de la batería a la mitad.
- **NUNCA** almacene la batería durante largos periodos de tiempo sin realizar cargas periódicas durante el período de desuso.
- **SIEMPRE** compruebe que la toma del cargador a la red de suministro eléctrico esté apagada antes de conectar o desconectar la batería.

ADVERTENCIA

- **NUNCA** deje la batería conectada con la toma del cargador a la red de suministro eléctrico apagada.
- **NO** deje el cargador encendido con la batería desconectada.
- **NO** use el elevador mientras carga la batería.
- **COMPRUEBE** que el elevador no se esté cargando antes de desplazarlo, ya que podría dañar la conexión eléctrica.
- **NUNCA** desconecte la toma del cargador tirando del cable.
- **PROCURE** no tropezar con el cable del cargador.
- **NO** cargue el elevador eléctrico en el cuarto de baño.

8. Programa de mantenimiento y Lista de verificaciones diarias

Todos los productos Oxford están diseñados para precisar el menor mantenimiento posible; sin embargo, son necesarios algunos controles y revisiones de seguridad. Recomendamos que se efectúen DIARIAMENTE las siguientes verificaciones.

Las verificaciones diarias, junto con una inspección de mantenimiento y prueba semestral, permiten la conservación del elevador en condiciones óptimas de funcionamiento y seguridad. Si la solicita, le enviaremos una lista de piezas de repuesto disponibles.

NOTA: La PRUEBA DE CARGA y CERTIFICACIÓN solo pueden llevarse a cabo por personal calificado, o un agente o distribuidor de mantenimiento autorizado.

Lista de verificaciones diarias:

Joerns Healthcare Ltd recomienda llevar a cabo las siguientes verificaciones con una frecuencia diaria antes de utilizar el elevador.

- **ASEGÚRESE** de que las ruedas del elevador se mueven con normalidad.
- **ASEGÚRESE** de que la barra separadora rote y gire sin dificultad. Compruebe la barra separadora esté conectada firmemente al brazo.
- **EXAMINE** los ganchos de la eslinga en la barra separadora y los sostenes laterales en caso de que presenten signos de desgaste excesivo. Si está en duda, **NO** utilice el elevador.
- **ASEGÚRESE** de que los discos de contención de la eslinga, ubicados en la barra separadora, estén instalados y funcionan como se espera.
- **ASEGÚRESE** de que las patas abran y cierren correctamente.
- Haga funcionar el control de mano o la unidad hidráulica para **CONFIRMAR** que el brazo sube y baja de manera correcta.
- **CONFIRME** que no suena la alarma de baja batería del elevador cuando acciona el control de mano (solo en elevadores eléctricos). Si sonase la alarma, **NO** use el dispositivo y ponga a cargar las baterías de inmediato.
- En elevadores eléctricos, **VERIFIQUE** el funcionamiento del botón de parada de emergencia.
- En elevadores hidráulicos, **VERIFIQUE** que no existan pérdidas de fluido hidráulico. Alerta inmediatamente a un ingeniero de mantenimiento acerca de cualquier pérdida detectada y deje de utilizar el elevador hasta después de haberlo hecho revisar.
- En elevadores con mástiles desmontables, **ASEGÚRESE** de que el mástil esté instalado según corresponda y que el pomo de sujeción esté completamente ajustado.
- **EXAMINE** los arneses para determinar si se ha producido un desgaste excesivo. **NO** utilice los arneses si detecta signos de daños o desgaste.
- **EXAMINE** todas las piezas de sujeción y anclaje y compruebe que estén seguras antes de poner en uso la unidad.

Mantenimiento, verificación y prueba:

Joerns Healthcare Ltd recomienda llevar a cabo una inspección exhaustiva y pruebas a todos los elevadores Oxford como también a sus correspondientes accesorios de elevación, eslingas, etc. con una frecuencia semestral como mínimo. Las pruebas deben llevarse a cabo según las recomendaciones y procedimientos descritos en este manual. Joerns Healthcare recomienda que solo agentes o distribuidores autorizados efectúen las tareas correspondientes de mantenimiento, inspección y pruebas con certificación.

NOTA: Estas recomendaciones cumplen con los requisitos establecidos en la ley 1998 N° 2307 sobre Salud y Seguridad: Regulaciones de operaciones de elevación y equipamiento de elevación, 1998. Esta es una normativa que rige en el Reino Unido. Fuera del Reino Unido, compruebe cuáles son los requisitos de su ente oficial local.

- **BARRA EXTENSORA:** Compruebe que la barra separadora puede girar y rotar con facilidad. Compruebe que el punto de giro central no presente signos de desgaste. Verifique la presencia y el estado de la arandela de desgaste. Compruebe que el brazo esté acoplado de manera segura. Compruebe que los ganchos de la eslinga y los sostenes laterales, que se utilizan con la barra separadora, no presenten signos de desgaste excesivo. Compruebe que los discos de contención estén instalados y funcionan según lo previsto. Lubrique tanto el punto principal de suspensión como el pivote central con grasa mineral ligera o con silicona en aerosol.
- **BRAZO:** Verifique el acople seguro del brazo al mástil. Asegúrese de que el movimiento hacia los lados del brazo principal sea mínimo y de que el brazo rote libremente en el rodamiento. Compruebe que el brazo esté centrado y que no presente daños. Compruebe que el actuador o unidad hidráulica montados en el brazo estén seguros.
- **MÁSTIL:** Verifique la operación del dispositivo de enclavamiento del mástil. Compruebe que el mástil está completamente instalado en la toma. Compruebe que el actuador inferior o unidad hidráulica estén montados de manera segura.
- **MONITOR SMART (Solo eléctrico):** Compruebe el buen funcionamiento del botón de parada de emergencia. Compruebe que la toma del control de mano esté en perfecto estado. Verifique que el control de mano funciona correctamente. Verifique los controles redundantes y confirme que funcionan correctamente.
- **AJUSTE DE LAS PATAS:** Verifique que las uniones de las patas estén seguras. Haga funcionar los pedales de ajuste de las patas o los controles de mano (solo para modelos de pata eléctrica) para verificar la apertura y cierre de las patas sin inconvenientes. Si las uniones de las patas están dañadas, debe reemplazarlas. Confirme que el mecanismo de ajuste de las patas se enclava y ubica correctamente en todas las posiciones cerradas y abiertas.
MANTENIMIENTO: Lubrique el mecanismo de ajuste de la pata con un aceite mineral ligero.
NOTA: Para facilitar la aplicación del lubricante, extraiga el mástil del marco en cruz y aplique el aceite desde la parte interior de la toma del mástil (solo para modelos a pedal).
- **PIVOTES DE PATAS:** Compruebe que los pivotes de las patas estén seguros y giren sin obstáculos. Investigue cualquier tipo de rigidez. Extraiga los pivotes de patas y lubrique con un aceite de base mineral ligera. Compruebe que no haya un juego excesivo en los pivotes de las patas.
- **RUEDAS:** Compruebe que todas las ruedas encajan firmemente en las patas. Verifique la rotación sin impedimento de todas las ruedas. Extraiga cualquier acumulación de hilo, cabellos o pelusa. De ser necesario, aplique lubricante con un aceite de base mineral ligero o con silicona en aerosol. Verifique que los frenos funcionen correctamente. Confirme que las cuatro ruedas giratorias estén firmes sobre el piso.

- **ACTUADORES (Solo modelos eléctricos):** Los actuadores no deberían necesitar mantenimiento, salvo la comprobación de funcionamiento correcto y detección de ruidos extraños. Asegúrese de que todos puntos de fijación estén seguros. Confirme que el mecanismo antichoques funciona correctamente (actuador de elevación solamente). Si está en duda, NO utilice el sistema, y haga verificar la unidad por una persona calificada o proveedor autorizado de servicios de Oxford.
- **ELEVACIÓN Y BAJADA DE EMERGENCIA Y DESCENSO DE EMERGENCIA:** Verifique tanto los controles redundantes de elevación y descenso como también la función de descenso de emergencia mecánica (si está instalada) utilizando la carga máxima segura de trabajo aplicada sobre el final del brazo. Tenga en cuenta que la práctica de utilizar una báscula de muelle no verifica correctamente la función de descenso de emergencia.
- **UNIDAD HIDRÁULICA:** La unidad hidráulica no debería requerir mantenimiento alguno, salvo la verificación de funcionamiento correcto en ambas direcciones y las pérdidas de fluido hidráulico. Asimismo, verifique el sistema en caso de haber aire atrapado o esponjosidad.
- **BATERÍAS (Solo modelos eléctricos):** Las baterías están alojadas en la central eléctrica y no deberían requerir mantenimiento, excepto la carga frecuente tal como se detalla en las instrucciones de carga.
- **LIMPIEZA:** Limpie con jabón corriente y agua, y/o con cualquier desinfectante para superficies duras. Deben evitarse limpiadores químicos o abrasivos, ya que pueden dañar el acabado de la superficie del elevador. No moje ninguna pieza eléctrica. Después de la limpieza, la unidad debe secarse completamente.
- **ARNESES:** Compruebe que no existe desgaste o daño. NO utilice los arneses si detecta signos de daños o desgaste.
- **PRUEBA DE CARGA:** La prueba de carga debe realizarse de acuerdo con los procedimientos de prueba del fabricante y la directiva detallada en EN ISO 10535:2006 - Anexo B - Inspección Periódica B1 – véase el extracto a continuación. Se recomienda encarecidamente realizar la prueba por un servicio técnico autorizado.

EN ISO 10535:2006

Anexo B

(Informativo)

Inspección periódica

B. 1 Se debe realizar una inspección periódica del elevador en los intervalos de tiempo indicados por el fabricante, pero al menos una vez al año. Por inspección periódica se entiende un examen visual (en particular de la estructura portante del elevador y del mecanismo de elevación con accesorios, frenos, controles, dispositivos de seguridad y dispositivos de apoyo para el usuario) además de cualquier otra prueba de funcionamiento y medidas de mantenimiento que puedan ser necesarias, por ejemplo, ajuste de los frenos y de tornillos.

Cada inspección debe incluir una prueba de carga de trabajo de un (1) ciclo de elevación con la carga máxima.

- **CERTIFICACIÓN:** Un concesionario de servicio autorizado emitirá un certificado de prueba tras haber completar con éxito la prueba de carga. Este certificado tendrá una validez de seis meses.

ELIMINACIÓN AL FINAL DE LA VIDA ÚTIL:

Batería: Todas las baterías del producto y los accesorios que lo acompañan deben reciclarse por separado. Las baterías deben desecharse de acuerdo con las normas o reglamentos locales o nacionales.

Arneses: Los arneses y accesorios de material asociados deben clasificarse como residuos combustibles de acuerdo con las normativas locales o nacionales.

9. Especificaciones Técnicas

Las ilustraciones a continuación destacan las dimensiones clave para la línea de elevadores Classic de Oxford. Las medidas físicas para cada elevador se mencionan en la página siguiente.

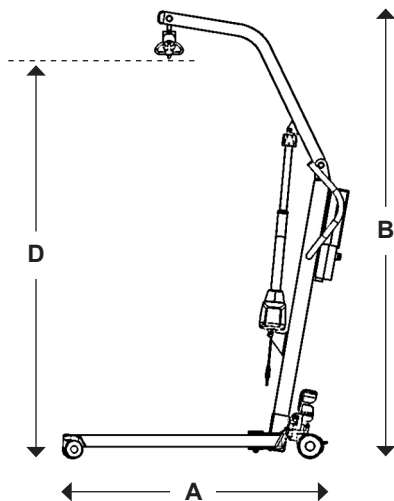


Fig. 22

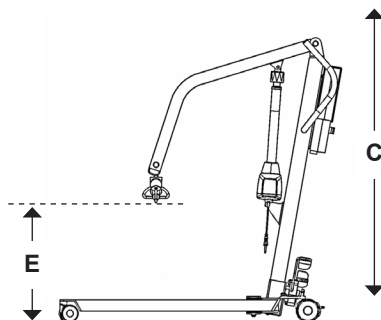


Fig. 23

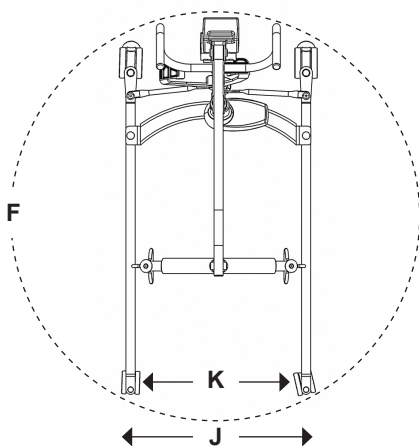


Fig. 24

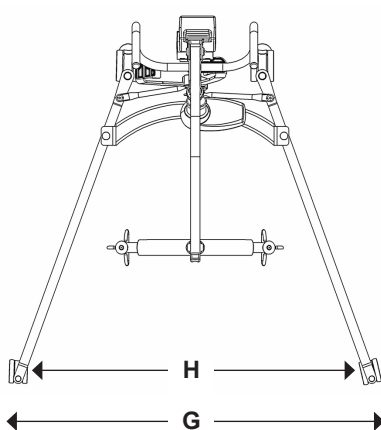


Fig. 25

	MINI 140		MIDI 180	
	Eléctrico	Hidráulico	Eléctrico	Hidráulico
Carga de trabajo segura	140 kg	140 kg	180 kg	180 kg
Largo (A)	1175 mm	1175 mm	1225 mm	1225 mm
Altura total máxima (B)	1730 mm	1730 mm	1840 mm	1840 mm
Altura total mínima (C)	1230 mm	1230 mm	1240 mm	1240 mm
Barra separadora - Máx. Altura (D)	1545 mm	1560 mm	1660 mm	1630 mm
Barra separadora - Mín. Altura (E)	530 mm	540 mm	525 mm	500 mm
Altura barra separadora en alcance máximo	1000 mm	1000 mm	1060 mm	1060 mm
Acople a altura máxima *	420 mm	370 mm	420 mm	470 mm
Acople a altura mínima *	400 mm	420 mm	440 mm	460 mm
Alcance máximo	565 mm	565 mm	656 mm	656 mm
Radio de giro (F)	1150 mm	1150 mm	1235 mm	1235 mm
Patatas abiertas (Anchura externa) (G) (Anchura interna) (H)	1060 mm 1000 mm	1060 mm 1000 mm	1170 mm 1070 mm	1170 mm 1070 mm
Patatas cerradas (Anchura externa) (J) (Anchura interna) (K)	600 mm 540 mm	600 mm 540 mm	600 mm 540 mm	600 mm 540 mm
Altura total de las patas	100 mm	100 mm	100 mm	100 mm
Distancia reposapiés-suelo	25 mm	25 mm	25 mm	25 mm
Ruedas dobles giratorias delanteras	75 mm	75 mm	75 mm	75 mm
Ruedas giratorias traseras con freno	100 mm	100 mm	100 mm	100 mm

Pesos:				
Mástil y brazo, incl. todas las piezas de sujeción	17,5 kg	17,5 kg	20,5 kg	20,5 kg
Ensamble Base	11 kg	11 kg	11,5 kg	11,5 kg
Unidad ensamblada	28,5 kg	28,5 kg	32 kg	32 kg
Batería	2,9 kg	-	2,9 kg	-

* Alcance = Del centro de la barra separadora a la parte anterior del mástil

	MAJOR 200		MAXI 180
	Eléctrico	Hidráulico	Eléctrico
Carga de trabajo segura	200 kg	200 kg	180 kg
Largo (A)	1300 mm	1300 mm	1315 mm
Altura total máxima (B)	1930 mm	1930 mm	2150 mm
Altura total mínima (C)	1380 mm	1380 mm	1560 mm
Barra separadora - Máx. Altura (D)	1715 mm	1705 mm	1970 mm
Barra separadora - Mín. Altura (E)	565 mm	525 mm	780 mm
Altura barra separadora en alcance máximo	1200 mm	1200 mm	1420 mm
Acople a altura máxima *	610 mm	620 mm	550 mm
Acople a altura mínima *	515 mm	510 mm	540 mm
Alcance máximo	720 mm	720 mm	730 mm
Radio de giro (F)	1310 mm	1310 mm	1310 mm
Patatas abiertas (Anchura externa) (G) (Anchura interna) (H)	1230 mm 1140 mm	1230 mm 1140 mm	1230 mm 1140 mm
Patatas cerradas (Anchura externa) (J) (Anchura interna) (K)	660 mm 580 mm	660 mm 580 mm	660 mm 580 mm
Altura total de las patas	100 mm	100 mm	100 mm
Distancia reposapiés-suelo	15 mm	15 mm	15 mm
Ruedas dobles giratorias delanteras	75 mm	75 mm	75 mm
Ruedas giratorias traseras con freno	100 mm	100 mm	100 mm

Pesos:			
Mástil y brazo, incl. todas las piezas de sujeción	23 kg	23 kg	24 kg
Ensamble Base	19 kg	19 kg	19 kg
Unidad ensamblada	42 kg	42 kg	43 kg
Batería	2,9 kg	-	2,9 kg

* Alcance = Del centro de la barra separadora a la parte anterior del mástil

Especificaciones eléctricas:

2 baterías selladas y recargables.....de plomo ácido de 12 voltios
 Capacidad de baterías.....2,9 Ah
 Entrada medida del cargador 100-240 V CA/24 VDC 50/60 Hz. Máx. 400 MA
 Salida medida del cargador.....29,5 VDC. Máx. 19 W

Protección contra descarga eléctrica:

Cargador Clase ii
 Elevador Fuente de energía interna

Grado de protección contra descarga eléctrica:

Cargador Tipo B
 Elevador Tipo B

Condiciones ambientales:

Al aire libre, la funcionalidad y seguridad especificadas pueden verse comprometidas.

Funcionamiento:

Temperatura 5°C a 40°C
 Humedad relativa 20% a 90% a 30°C (no condensada)
 Presión atmosférica..... 700 - 1060 Hpa
 Nivel de sonido..... 55 dB

Almacenamiento:

Temperatura-10°C a +50°C
 Humedad relativa20% a 90% a 30°C (no condensada)
 Presión atmosférica..... 700 - 1060 Hpa

Clasificaciones IP:

Caja de control IPX4
 Actuador IPX4
 Cargador fuera de borda IPX5
 Batería..... IPX5
 Control de mano..... IPX5

Ciclos de trabajo:

Actuador 10% (2 min. / 18 min.)
 Batería..... 10% (2 min. / 18 min.)

Explicación de los símbolos:

Los signos enunciados a continuación se utilizan en el cargador, la unidad de control y la batería:



Este producto es un Dispositivo Médico de acuerdo con la Ordenanza de Dispositivos Médicos de la UE 2017/745.



Equipo de tipo B, según EN 60601-1



Equipo de clase



La batería no debe desecharse junto con los residuos domésticos. Las baterías deben desecharse de acuerdo con las normas o reglamentos locales o nacionales.



Las piezas de electrónica no deben desecharse junto con los residuos domésticos



Para uso en interiores solamente



ATENCIÓN: consulte los documentos adjuntos



Consulte las instrucciones del usuario antes de usar

WEEE Producers - Número de registro: WEE/GG0464RZ

10. Garantía

Joerns Healthcare cuenta con una red establecida de distribuidores autorizados y agentes técnicos que estarán gustosos de responder a todas sus inquietudes respecto a la adquisición, garantía, reparación y mantenimiento de los productos. Se recomienda que un distribuidor autorizado o agente técnico encarguen nuestros productos.

El distribuidor o representante opera el Programa de la garantía; de manera que es importante conservar el nombre, dirección y teléfono para poder establecer contacto en caso de que surja algún problema. Si tiene dudas acerca del lugar de compra del elevador, Joerns Healthcare puede ubicar al proveedor si usted cita el número de serie del producto.

Todas las reclamaciones respecto de la garantía están sujetas a la correcta utilización y mantenimiento del producto, de acuerdo con el manual de instrucciones suministrado con cada elevador. La garantía pierde validez ante cualquier daño causado por el uso en condiciones ambientales inadecuadas o por falta de mantenimiento del producto según las instrucciones de mantenimiento para el usuario. Sus derechos legales no se verán afectados.

RECUERDE: Póngase en contacto con su distribuidor autorizado o agente técnico por adquisiciones, reparaciones, servicio y mantenimiento certificados.

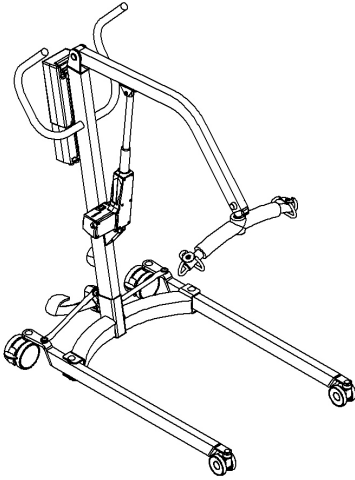
Su distribuidor:

Inhoudsopgave

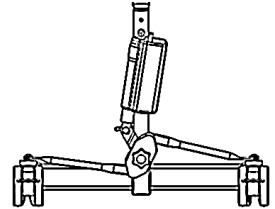
1.	De Oxford Classic Tillift serie.....	115
2.	Inleiding: Over uw tillift.....	117
3.	Instructies voor montage en ingebruikname.....	118
4.	Veiligheidsvoorschriften.....	122
5.	Smart™ Monitor & Handset.....	124
6.	Gebruiksaanwijzing	128
7.	Instructies voor opladen (uitsluitend voor elektrische modellen).....	131
8.	Onderhoudsschema & Dagelijkse controlelijst.....	133
9.	Technische specificaties	136
10.	Garantie.....	141

1. De Oxford Classic Tillift serie

Oxford Mini 140:



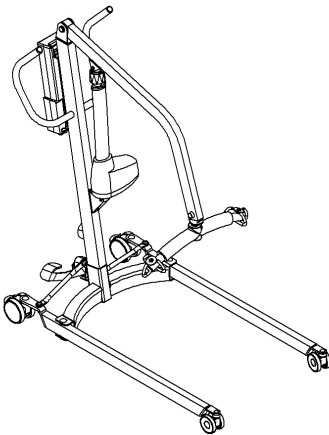
Hydraulische plunjer
(vervangt actuator
op hydraulische
modellen)



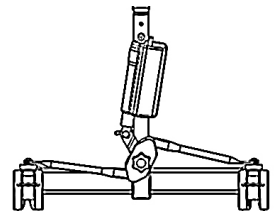
Actuator onderstel
(vervangt voetpedalen
op modellen met
elektrisch onderstel)

Fig. 1

Oxford Midi 180:



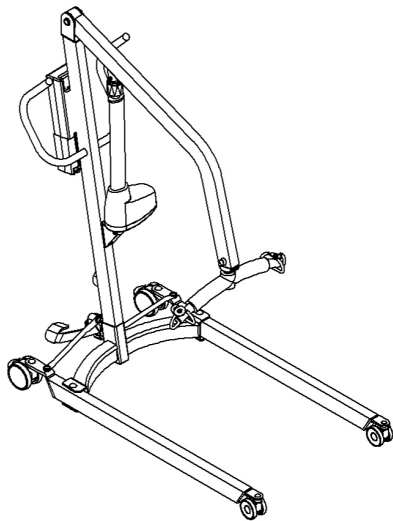
Hydraulische plunjer
(vervangt actuator
op hydraulische
modellen)



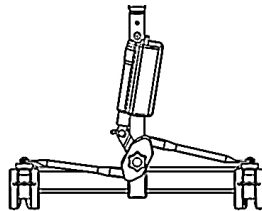
Actuator onderstel
(vervangt voetpedalen
op modellen met
elektrisch onderstel)

Fig. 2

Oxford Major 200:



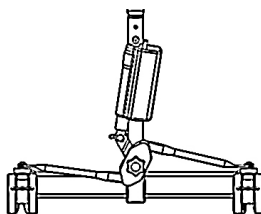
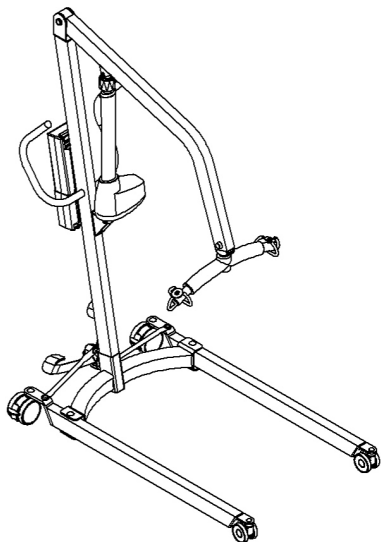
Hydraulische plunjer
(vervangt actuator
op hydraulische
modellen)



Actuator onderstel
(vervangt voetpedalen
op modellen met
elektrisch onderstel)

Fig. 3

Oxford Maxi 180:



Actuator onderstel
(vervangt voetpedalen
op modellen met
elektrisch onderstel)

Fig. 4

2. Inleiding: Over uw tillift

De Oxford Classic Tillift serie is in hydraulische of elektrische uitvoering leverbaar, met uitzondering van de Maxi 180; deze is alleen in elektrische uitvoering leverbaar. In deze handleiding worden beide opties besproken.

Iedere tillift wordt volledig in elkaar gezet en belast getest en gecertificeerd voordat hij gedeeltelijk uit elkaar wordt gehaald om te worden verpakt. De verpakking bestaat uit sterk karton en is geschikt om het product nationaal en internationaal veilig op de plaats van bestemming te laten aankomen.

Meegedeleverde documenten:

Bij iedere tillift wordt een etui met daarin een aantal documenten meegeleverd. Deze documenten moeten worden bewaard, zodat de informatie later opnieuw kan worden geraadpleegd.

- Testcertificaat
- Gebruikershandleiding

Het TESTCERTIFICAAT is een belangrijk document en een vereiste voor uw verzekeringsdossier. Het is zes maanden geldig en na afloop van deze periode moet de tillift worden geïnspecteerd en een servicebeurt krijgen voor de volgende periode van zes maanden. Uw leverancier kan het onderhoud en de periodieke testen volgens de Britse Lifting Operations and Lifting Equipment Regulations 1998 (LOLER) voor u verzorgen. Zorg ervoor dat uw tillift wordt opgenomen in hun onderhoudsschema.

WAARSCHUWING

Voorafgaand aan het dagelijkse gebruik van uw lift moeten de controles worden uitgevoerd zoals vermeld in de checklist in deze handleiding.

De CE-certificering:

Alle Oxford Classic Tilliften zijn voorzien van een CE-certificering en voldoen aan de onderstaande EG-richtlijnen:



- Richtlijn Medische hulpmiddelen (93/42/EEG)
- EMC-richtlijn (89/336/EEG) (uitsluitend elektronica)
- Laagspanningsrichtlijn (Richtlijn 73/23/EEG) (uitsluitend elektronica)

Verklaring van bedoeld gebruik:

De Oxford Classic tilliften zijn bedoeld om personen vanaf de ene zit- of ligplaats naar een andere zit- of ligplaats over te brengen. (Bijvoorbeeld van een bed naar een rolstoel.) Het wordt niet aanbevolen om personen over een langere afstand in een tilband te verplaatsen. De Oxford Classic Tilliften zijn geschikt voor patiënten in ZITTENDE, ZITTENDE/LIGGENDE, of LIGGENDE positie.

WAARSCHUWING

De Oxford patiëntentliften mogen uitsluitend worden bediend door volledig opgeleide/competente verzorgers.

Verwachte levensduur:

De mobiele tilliften uit de Classic serie van Oxford zijn ontworpen en getest voor een minimale levensduur van zeven (7) jaar, afhankelijk van het gebruik en de onderhoudsprocedures zoals in deze handleiding worden vermeld. Wanneer het product niet volgens deze instructies wordt gebruikt, kan dit een nadelig effect hebben op de levensduur van het product.

Melden van ernstige incidenten:

Wanneer tijdens gebruik van dit product een ernstig incident heeft plaatsgevonden, waarbij de patiënt en/of zorgverlener betrokken was/waars, moet dit aan de fabrikant van het product of de erkende distributeur worden gemeld. Indien dit incident heeft plaatsgevonden binnen de Europese Unie (EU), moet het ook aan de bevoegde autoriteit binnen de lidstaat worden gemeld.

3. Instructies voor montage en ingebruikname

Plaats de verpakking in een vrije werkruimte en maak hem voorzichtig open. De verpakking bevat:

- Hoofddeel van chassis met wielen
- Etui met documenten
- Geheel van mast en tilarm
- Acculader (alleen voor elektrische tilliften)
- Accu (alleen voor elektrische tilliften)
- Handbediening (alleen voor elektrische tilliften)

1. Haal alle onderdelen uit de verpakking en leg ze voorzichtig op de vloer. Let erop dat de lak niet wordt beschadigd.

⚠ WAARSCHUWING

Sommige delen zijn zwaar en moeten met beleid worden opgetild. Mogelijk hebt u hulp nodig om de zwaardere onderdelen op te tillen.

2. Zet de achterwielen op de rem door de remhendels (fig. 5) naar beneden te duwen.
3. Bevestig de mast aan het chassis. De mast wordt in de rechthoekige houder boven en midden op het chassis geplaatst. (Fig. 5 - model met handmatige bediening onderstel).

⚠ WAARSCHUWING

Voorkom beknelde vingers. Houd uw vingers weg van het uiteinde van de mast wanneer deze in de houder wordt geplaatst.

Om onbedoelde schade aan de pootopeningsactuator te voorkomen, ZORG ERVOOR dat de poten in de open positie staan voordat u de mast in de aansluiting steekt op elektrische pootvarianten.

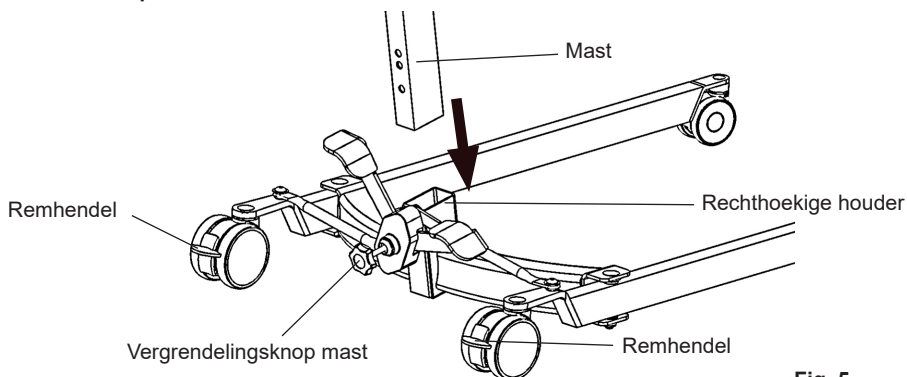


Fig. 5

4. Wanneer de mast volledig in de houder is geplaatst, draait u de vergrendelingsknop van de mast (fig. 5) met de klok mee vast, totdat deze helemaal vast zit.

⚠ WAARSCHUWING

Het label aan de zijkant van de mast geeft aan of de mast goed en volledig in de houder is geplaatst.

5. **Bediening elektrisch onderstel:** Er moeten enkele handelingen worden verricht om de actuator van het onderstel aan het verstelmechanisme te bevestigen. Breng de actuator voorzichtig op zijn plaats over de draaibeugel van het onderstel en zorg ervoor dat de corresponderende gaten overeenkomen. Steek de gaffelpen in het gat en zorg ervoor dat de plastic slijtringen op hun plaats blijven. Steek tot slot de borgveer door het gat van de gaffelpen en controleer of alles veilig is bevestigd.

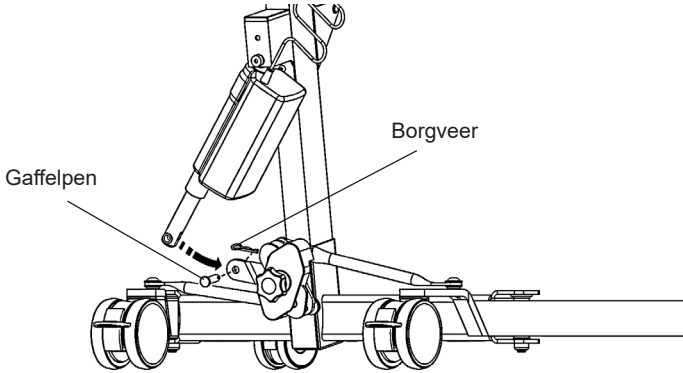


Fig. 6

Bediening voetpedaal van het onderstel: Als uw tillift voor de bediening van het onderstel is voorzien van voetpedalen, ontkoppel dan de remmen en controleer of de poten naar behoren openen en sluiten door de voetpedalen te bedienen (fig. 7). Houd de duwhendel vast voor stabiliteit.

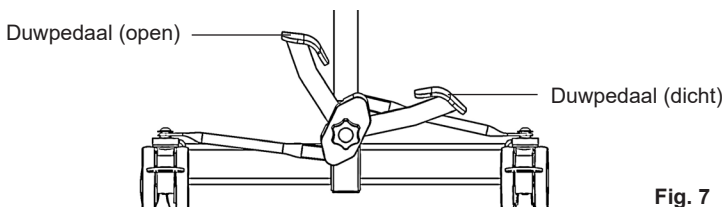


Fig. 7

Uitsluitend voor elektrische modellen:

6. Bevestig de accu aan de bedieningskast en zie erop toe dat de rode noodstopknop die zich op de bediening bevindt, uitsteekt (AAN), door hem met de klok mee te draaien (fig. 8).

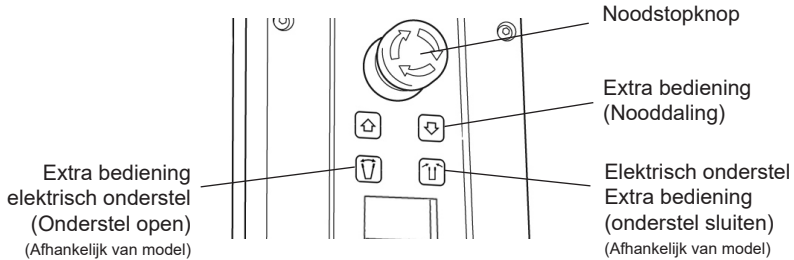


Fig. 8

7. Druk op de knoppen OP en NEER op de handbediening en controleer of de tilarm overeenkomstig omhoog of omlaag gaat (fig. 9).

OPMERKING: Indien het onderstel van uw tillift elektrisch wordt bediend, controleer dan of het onderstel open en dicht gaat door op de knoppen OPEN en DICHT op de handbediening te drukken.

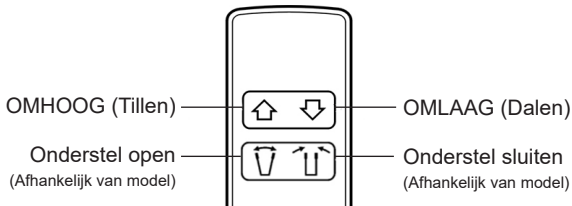


Fig. 9

8. Voor de eerste ingebruikname dient de service-teller door een erkende dealer op nul te worden gezet.
9. De tillift is nu klaar voor gebruik.

Uitsluitend voor hydraulische modellen:

- Sluit het ventiel van het hydraulische systeem (fig. 10) door de zwarte gekartelde knop op de eenheid volledig met de klok mee te draaien.

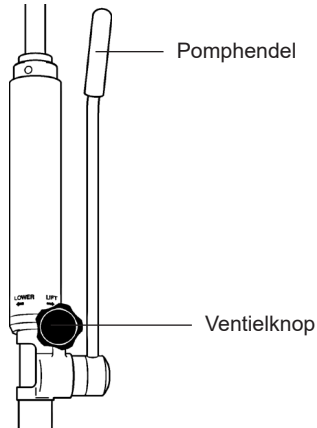


Fig. 10

OPMERKING: Het ventiel hoeft slechts minimaal te worden dichtgedraaid om te functioneren en moet slechts handvast worden gesloten.

⚠ WAARSCHUWING

OEFEN GEEN overmatige kracht uit op de ventielknop, want dit leidt tot beschadiging van het ventiel.

- Pomp de hendel (fig. 10) van het hydraulische systeem en controleer of de plunjer de tilarm omhoog beweegt.
- Draai het ventiel tegen de klok in volledig open en controleer of de tilarm omlaag gaat.

OPMERKING: Een onbelaste tilarm komt niet door het eigen gewicht naar beneden; er moet enige druk worden uitgeoefend voordat deze daalt.

⚠ WAARSCHUWING

Het ventiel is in minder dan twee volledige draaien van de knop volledig open en bereikt dan de aanslag. OEFEN GEEN kracht uit op de ventielknop na het bereiken van de aanslag, want dit leidt tot beschadiging van het ventiel.

- Sluit het ventiel door de zwarte gekartelde knop met de klok mee te draaien.
- De tillift is nu klaar voor gebruik.

4. Veiligheidsvoorschriften

Lees en volg a.u.b. de volgende veiligheidsmaatregelen op. Het gebruik van Oxford is gemakkelijk en eenvoudig. Door het opvolgen van deze eenvoudige veiligheidsmaatregelen kunt u gemakkelijk en probleemloos tillen.

LEES EN BEGRIJP DE GEBRUIKERSHANDLEIDING VOORDAT U UW “CLASSIC” TILLIFT GEBRUIKT

WAARSCHUWING: Belangrijke veiligheidsinformatie met betrekking tot gevaren die ernstig letsel kunnen veroorzaken.

OPGELET: Informatie om schade aan het product te voorkomen.

OPMERKING: Informatie die speciale aandacht behoeft.

WAARSCHUWING

- De Oxford patiëntenliften mogen uitsluitend worden bediend door volledig opgeleide/ competente verzorgers.
- Plan **ALTIJD** het gebruik van de lift voordat u begint.
- Voer voor gebruik van de tillift **ALTIJD** de **DAGELIJKSE CONTROLES** volgens de controlelijst uit.
- Maak uzelf **ALTIJD** vertrouwd met de bediening en veiligheidskenmerken van een tillift voordat u een patiënt optilt.
- Gebruik **UITSLUITEND** een tilband die voor gebruik in combinatie met deze tillift wordt aanbevolen.
- Controleer **ALTIJD** of de tillift geschikt is voor de betreffende patiënt en of de maat en capaciteit correct zijn.
- Gebruik **NOOIT** een gerafelde of beschadigde tillift.
- Bevestig een tillift **ALTIJD** volgens de meegeleverde instructies (gebruikersinstructies).
- Controleer **ALTIJD** of de veilige belasting van de tillift geschikt is voor het gewicht van de patiënt.
- Til patiënten **ALTIJD** volgens de instructies in de gebruikershandleiding.
- Negeer **NOOIT** de veiligheidskenmerken omdat het dan gemakkelijker lijkt om de tillift te gebruiken.
- Forceer **NOOIT** een bedrijfs- of veiligheidscontrole. Alle bedieningsmogelijkheden zijn gemakkelijk te bedienen en er is geen overmatige kracht voor nodig om ze te bedienen. Als de bediening niet gemakkelijk werkt, heeft dit een reden. Door kracht uit te oefenen wordt de tillift onder spanning gezet en kan deze beschadigen, en kan de veiligheid in gevaar worden gebracht. Neem bij twijfel contact op met uw erkende Oxford dienstverlener of Joerns Healthcare.
- Probeer **NIET** een patiënt op te tillen terwijl de zwenkwielen geremd zijn.
- Probeer **NIET** de tillift te manoeuvreren door tegen de mast, tilarm of patiënt te duwen.
- Manoeuvreer de tillift **ALTIJD** met behulp van de meegeleverde handgrepen. Probeer **GEEN** extra zijwaartse kracht op de tilarm of het onderstel van de tillift uit te oefenen om het product te manoeuvreren.

⚠ WAARSCHUWING

- Laat de patiënt **ALTIJD** vóór een transfer naar de laagste comfortabele positie dalen.
- Duw een tillift met patiënt **NIET** harder dan een langzame wandelpas. (3 km/u., 0,8 m/sec.).
- Duw de tillift **NIET** over ongelijke of ruwe ondergrond, vooral niet als zich een patiënt in de tillift bevindt.
- Probeer een tillift met patiënt **NIET** over een obstakel te duwen of te trekken waar de zwenkwielen niet gemakkelijk overheen kunnen rijden.
- De tillift mag **NIET** hardhandig over treden worden voortbewogen, ongeacht of er wel of geen persoon in de tillift aanwezig is.
- Probeer **NIET** met een tillift met patiënt over een helling steiler dan 1:12 (ongeveer 5 graden) te rijden. Joerns Healthcare adviseert een tweede persoon om te assisteren wanneer een patiënt over een helling moet worden gereden.
- Plaats een tillift met patiënt **NOOIT** op een hellend vlak.
- Gebruik de elektrische tillift **NIET** onder de douche.
- Laad een elektrische tillift **NIET** op in een badkamer of doucheruimte.
- Til een patiënt **NIET** tenzij u hiertoe bent getraind en over de vaardigheden beschikt om dit te doen.
- Uw tillift is bedoeld om een patiënt op te tillen. Het apparaat mag **NIET** voor een ander doel worden gebruikt.
- De Oxford Classic serie is niet bedoeld voor voortdurend gebruik/opslag in vochtige omstandigheden waarbij er sprake is van condensvorming.
- Merk op: Het **MINIMALE** gewicht dat nodig is om de lift handmatig naar beneden te brengen via het mechanische noodmechanisme is 30 kg (indien meegeleverd).

5. Smart Monitor & Handset

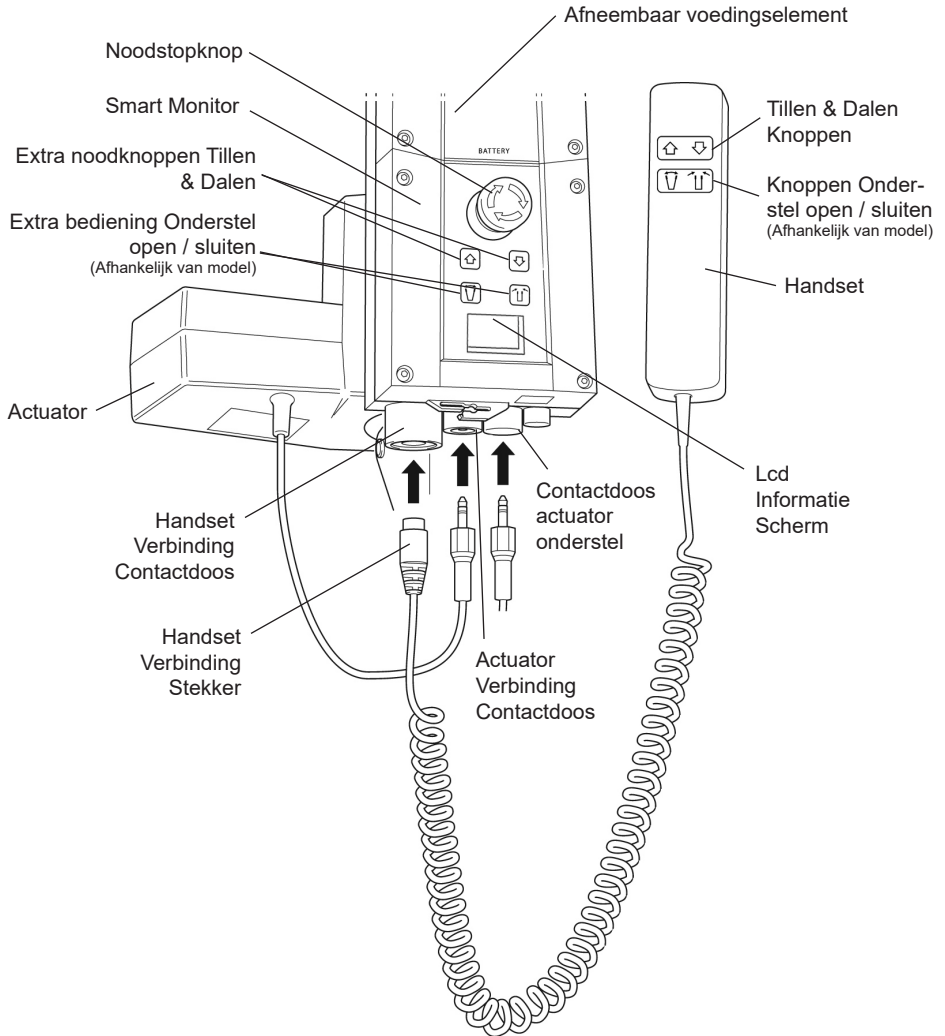


Fig. 11

Bedoeld gebruik:

The Oxford Smart Monitor is een bedieningssysteem voor Oxford mobiele liften. De Smart Monitor slaat nuttige informatie op over de tillift die opgeroepen kan worden wanneer dit nodig is. Deze onderhoudsinformatie omvat:

- Aantal cycli waarbij een patiënt is opgetild
- Arbeidstijd van de actuator
- Aantal malen dat de tillift werd overbelast (poging tot optillen met een gewicht hoger dan de veilige belasting)
- Verstreken tijd sinds de laatste servicebeurt

De Oxford Smart Monitor bevat een microprocessor waarmee het mogelijk is onderhoudsgegevens via het lcd-scherm op de tillift af te lezen.

Kenmerken:

- Gegevensverzameling in de bedieningskast met weergave via het lcd-scherm
- Werkteiler
- Intelligente cyclus-teller
- Onderhoudsindicator
- Service-intervalteller
- Informatie betreffende overbelasting
- 3-stapsindicator accu

Voordelen:

- Verbeterde veiligheid voor zowel patiënt als verzorger
- Met één druk op de knop nauwkeurige onderhoudsgegevens beschikbaar
- Geoptimaliseerde levensduur van het product
- Gemakkelijk onderhoud voor mecaniciens en onderhoudsmonteurs

Lcd-scherm:

De Oxford Smart Monitor biedt de optie om informatie via het lcd-scherm af te lezen. Het totale aantal tilcycli, de totale hoeveelheid werk, het aantal malen overbelasting en het aantal dagen dat is verstreken sinds de laatste onderhoudsbeurt kunnen worden afgelezen. Hierdoor kan de conditie van de liftactuator snel en gemakkelijk worden beoordeeld (fig. 12).

Door een halve seconde op de 'TIL'-knop op de gebruikershandset te drukken, krijgt men toegang tot deze informatie. Ook kan op de extra 'TIL'-knop op de Smart Monitor worden gedrukt.

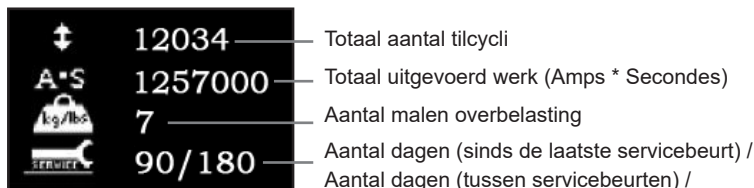


Fig. 12

Onderhouds- en Gebruiksinformatie:



Fig. 13

Het servicesymbool verschijnt op het scherm wanneer het tijd is voor een servicebeurt (fig. 13) Als de gebruikershandset is geactiveerd, geeft de Smart Monitor ook een geluidssignaal om de gebruiker opmerkzaam te maken op het feit dat er een servicebeurt nodig is.

Steeds als de toetsen tillen of dalen op de gebruikershandset worden ingedrukt, wordt het servicesymbool weergegeven. Neem direct contact op met uw erkende dienstverlener wanneer het servicesymbool wordt weergegeven.



Fig. 14

Als de tillift vanwege overbelasting stopt (een poging om meer dan de veilige belasting te tillen), verschijnt het symbool voor overbelasting op het lcd-scherm (fig. 14). De tillift houdt op te functioneren totdat het teveel aan gewicht (boven de veilige belasting) is verwijderd.

▲ WAARSCHUWING

Indien het lcd-scherm op uw Smart Monitor een overbelasting heeft geregistreerd, adviseert Joerns Healthcare ALLE dagelijkse controles uit te voeren bij de tillift voordat deze opnieuw wordt gebruikt. Voor een overzicht van de dagelijkse controles wordt naar de gebruikershandleiding van de tillift verwezen. Joerns Healthcare adviseert eveneens contact op te nemen met uw erkende Oxford dienstverlener voor aanvullend advies.

Extra bedieningsknoppen op de lift:

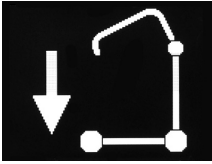


Fig. 15

Dankzij de extra bedieningsknoppen op de tillift kan deze in geval van nood tillen of dalen (fig. 15).

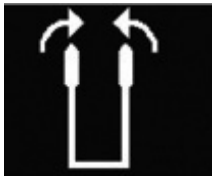


Fig. 16

Als uw tillift is voorzien van elektrische positionering van het onderstel, zijn er eveneens extra bedieningsknoppen om het onderstel te openen en te sluiten. (fig. 16).

Informatie betreffende accu's:



Fig. 17

Wanneer een volle batterij op het scherm zichtbaar is, betekent dit dat de accu volledig geladen is en de tillift klaar is voor gebruik (fig. 17).

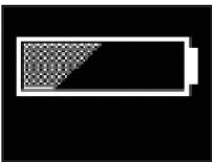


Fig. 18

Wanneer er een halfllege batterij op het scherm zichtbaar is, betekent dit dat het tijd is om de accu op te laden (fig. 18).

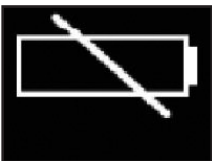


Fig. 19

Wanneer er een lege batterij op het scherm zichtbaar is, betekent dit dat de accu geen vermogen meer heeft en direct op de oplader moet worden geplaatst (fig. 19).

⚠ WAARSCHUWING

Om mogelijke permanente schade aan de accu te voorkomen, dient de accu opgeladen te worden zodra het icoontje van een halfllege batterij zichtbaar is (fig. 18).

6. Gebruiksaanwijzing

▲ WAARSCHUWING

De Oxford patiëntenliften mogen uitsluitend worden bediend door volledig opgeleide/competente verzorgers.

1. **Aanpassing onderstel:** Het onderstel van de Oxford Classic Tilliften kan worden geopend waardoor de tillift gemakkelijk naast stoelen, rolstoelen of ander meubilair kan worden geplaatst. Bij een transfer en wanneer u door smalle gangen of doorgangen moet laveren, moeten het onderstel van de tillift in een gesloten positie worden gezet.

Bediening elektrisch onderstel: Druk eenvoudig op de betreffende knop op de handbediening om het onderstel te openen of te sluiten. U kunt ook de extra, zachte bedieningsknoppen gebruiken die zich aan de voorzijde van de bedieningskast boven het lcd-scherm bevinden.

Bediening voetpedaal van het onderstel: Druk eenvoudig op de druk-pads die zich onderaan/aan de achterzijde van de mast bevinden. Om het onderstel te openen, drukt u op het LINKER druk-pad. Om het onderstel te sluiten, drukt u op het RECHTER druk-pad.

Beide aanpassingen kunnen worden uitgevoerd terwijl er een patiënt in de tillift zit.

2. **Zwenkwielen en remmen:** De tillift beschikt over twee geremde zwenkwielen die gebruikt kunnen worden om de tillift te parkeren. Tijdens het tillen van personen moeten de zwenkwielen vrij en niet geremd zijn. Hierdoor kan de tillift naar zijn zwaartepunt bewegen. Als de wielen geremd zijn, is het de patiënt die naar het zwaartepunt beweegt en dit kan verontrustend en oncomfortabel zijn.
3. **Bewegen (Voorwaartse beweging):** De Classic serie mobiele liften is ontworpen om met de geïntegreerde duwhendel voorwaarts te worden geduwd.

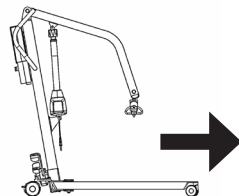


Fig. 20

4. **Stuurmechaniek om in een rechte lijn te sturen (indien meegeleverd):** Een van de zwenkwielen aan de achterzijde is voorzien van een mechaniek waarmee in een rechte lijn kan worden gestuurd. Om dit in werking te stellen, plaatst u de U-vormige stang over het achterwiel. Het mechaniek wordt automatisch actief wanneer u de tillift wegrijdt.
5. **Tillen en dalen van de tilarm (elektrische modellen):** De beweging van de tilarm komt tot stand dankzij een krachtige elektrische actuator die door een eenvoudige handbediening wordt bediend. De handbediening heeft twee knoppen met richtingspijlen TILLEN en DALEN. De actuator stopt automatisch wanneer het maximale bereik wordt bereikt (geldt voor beide richtingen). De handbediening wordt in een contactpunt aan de onderzijde van de bedieningskast gestoken. Op de achterkant van de handbediening zit een magneet waardoor de handbediening op de mast of tilarm kan worden 'geplakt' wanneer de handbediening niet wordt gebruikt.
6. **Noodstop (uitsluitend bij elektrische lift):** De rode noodstopknop bevindt zich op de bedieningskast en wordt geactiveerd door erop te drukken. Hierdoor wordt de stroomtoevoer naar de tillift volledig stopgezet. Dit kan alleen worden gereset door de knop met de klok mee te draaien en los te laten.
7. **Ongebruikte bediening:** Alle Oxford Classic Tilliften zijn op de bedieningskast voorzien van til- en daalknoppen. Deze bevinden zich onder de noodstopknop en kunnen worden gebruikt om de patiënt te tillen of te laten dalen in het geval dat de handbediening niet functioneert.

8. **Nooddaling (Emergency Lower):** Voor het geval dat zich een volledige elektrische storing voordoet, is de elektrische actuator uitgerust met een mechanisch daalsysteem ('RED BOSS'). Dit mechaniek moet handmatig met de klok mee worden gedraaid om het te bedienen. Hierdoor zal de tillift langzaam dalen. De handeling moet worden herhaald totdat de patiënt veilig naar beneden is gebracht.

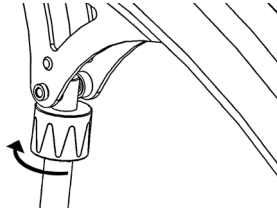


Fig. 21

⚠ WAARSCHUWING

Dit nooddaalmechaniek mag uitsluitend worden gebruikt in geval van een elektrische storing. Het moet niet regelmatig worden gebruikt om de patiënt te laten dalen.

⚠ WAARSCHUWING

Als dit mechaniek is gebruikt, **MOET** de tillift vervolgens worden gecontroleerd door een hiertoe opgeleide mecanicien.

⚠ WAARSCHUWING

Wanneer de tillift na een nooddaling wordt gebruikt zonder dat deze is gecontroleerd, kan dit de zorgplicht voor en veiligheid van de patiënt in gevaar brengen.

9. **Accu's:** De accu's worden door een LAGE-SPANNINGSALARME beschermd tegen volledige ontlading. Het alarmsignaal klinkt wanneer de accu's opgeladen moeten worden en de handbediening wordt gebruikt. Het alarmsignaal klinkt niet onafhankelijk van het gebruik van de handbediening. **NEGEER DIT ALARMSIGNAAL NIET!** Maak de tilcyclus af en plaats de accu op de oplader (zie instructies voor opladen).
10. **Tillen en dalen van de tilarm (uitsluitend bij hydraulische modellen):** De beweging van de tilarm komt tot stand dankzij een krachtige hydraulische plunjer die eenvoudig door twee beheersingsmechanismen wordt bediend. **Het ventiel, een zwarte gekartelde knop, en de pomphendel, een lange hendel aan de zijkant van het hydraulische systeem.**

Om de tilarm omhoog te brengen, moet het ventiel gesloten zijn. Het ventiel wordt gesloten door de gekartelde knop rustig met de klok mee volledig dicht te draaien. Nadat het ventiel is dichtgedraaid, pompt u voor een maximaal effect de lange hendel met rustige, gelijkmatige slagen. De hendel doorloopt vanuit een rechtopstaande positie een boog van 90 graden. Laat de hendel in een opwaartse positie staan wanneer de tillift niet wordt gebruikt.

⚠ WAARSCHUWING

Forceer de hendel NIET voorbij de hoogste of laagste aanslag. Het hydraulische systeem kan worden gedraaid waardoor de hendel van beide kanten van de tillift kan worden bediend.

Om de tilarm te laten dalen, draait u het ventiel (de zwarte gekartelde knop) tegen de klok in. Het ventiel functioneert progressief: hoe verder het ventiel wordt geopend, hoe sneller de tillift daalt. Het ventiel is echter beperkt, dus zelfs als het volledig geopend is, vindt de daling op gecontroleerde wijze plaats. Hierdoor kan een 'handsfree' daling plaatsvinden.

Als het ventiel slechts gedeeltelijk wordt geopend (een kwartslag draaien), daalt de tillift zeer langzaam. Hierdoor heeft de verzorger de handen vrij om de patiënt te helpen of gerust te stellen.

VERGEET NIET het ventiel te sluiten voordat u met een liftbeweging begint. Er is slechts geringe druk nodig om het ventiel te openen of te sluiten.

WAARSCHUWING

OEFEN GEEN overmatige kracht uit op de ventielknop, noch om te openen, noch om te sluiten. Het is niet nodig en leidt uitsluitend tot beschadiging van het ventiel.

11. **Tilbanden:** De gekozen tilband wordt aan de haken van de spreiders bevestigd. Iedere tilband wordt geleverd met instructies die nauwkeurig moeten worden opgevolgd.

De Oxford Classic Tillift serie is geschikt voor patiënten in ZITTENDE, ZITTENDE/LIGGENDE, of LIGGENDE positie. De belangrijkste tilbanden die geschikt zijn voor deze liften zijn:

- Oxford Quickfit
- Oxford Quickfit Deluxe
- Oxford Access
- Oxford Full Back
- Oxford Long Seat
- Oxford Silkfit

Bij de keuze van een tilband uit de Oxford serie moet, voordat de patiënt wordt getild, een zorgvuldige risicobeoordeling worden uitgevoerd om te bepalen of het soort tilband geschikt is voor de patiënt.

OPMERKING: Voor uitgebreide pasinstructies verwijzen we naar de gebruikershandleiding die met iedere tilband wordt meegeleverd.

WAARSCHUWING

Joerns Healthcare adviseert tilbanden regelmatig, en met name voor ieder gebruik, te controleren op rafels of beschadigingen. **GEBRUIK GEEN** tilbanden die versleten of beschadigd zijn.

WAARSCHUWING

OXFORD ADVISEERT HET GEBRUIK VAN ORIGINELE OXFORD ONDERDELEN. Oxford tilbanden en liftproducten zijn zodanig ontworpen dat ze met elkaar kunnen worden gecombineerd. Voor landspecifieke richtsnoeren betreffende het gebruik van sling en de combineerbaarheid, wordt verwezen naar het label in de tillift, of u kunt contact opnemen met uw distributeur of Joerns Healthcare.

WAARSCHUWING

Zie de maximum tilcapaciteit van de tillift. De capaciteit van de tilband wordt beperkt door de maximale capaciteit van de tillift.

OPMERKING: Voor meer advies betreffende de keuze van tilbanden, verwijzen we naar www.joerns.co.uk

7. Instructies voor opladen (uitsluitend voor elektrische modellen)

Wanneer het accupak opgeladen moet worden, wordt het van de tillift afgehaald en in een aparte oplader geplaatst.

Joerns Healthcare raadt aan om een aanvullend accupak aan te schaffen zodat één accupak altijd opgeladen kan worden.

1. Verwijder het accupak van de tillift. Het pak wordt vastgehouden door een eenvoudige grendel aan de bovenkant van het accupak. Til de grendel op om het accupak te verwijderen.
2. Plaats het accupak in de oplader. Het plaatsings- en bevestigingsmechanisme van de oplader is hetzelfde als dat van de tillift.
3. Steek het netsnoer van de oplader in een geschikt stopcontact en schakel de elektriciteit AAN.
4. Het opladen gebeurt automatisch en de accu's worden in acht tot twaalf uur volledig opgeladen. Let op: de accu's kunnen niet "overladen" worden, zelfs niet wanneer u de stekker van de oplader voor langere tijd in het contact laat.
 - a) Groen licht - Geeft aan dat de stroomtoevoer is ingeschakeld.
 - b) Geel licht - Geeft aan dat de accu wordt opgeladen.
 - c) Accu is volledig opgeladen als het gele licht uitgaat.

OPMERKING: Het wordt aanbevolen de accu direct na ontvangst op te laden.

5. Schakel de elektriciteit UIT en verwijder het accupak uit de oplader om de tillift weer in gebruik te nemen. Bevestig het accupak aan de tillift en zorg ervoor dat de vergrendeling die de accu op zijn plaats houdt goed vastzit. "Klik" vast. Het opladen van de Oxford elektrische tilliften is eenvoudig en ongecompliceerd, maar het is belangrijk dat u de oplaadinstructies nauwgezet opvolgt. Let a.u.b. met name op de volgende aanwijzingen, waarmee u kunt voorkomen dat er zich problemen voordoen met het ontladen van accu's.

WAARSCHUWING

- Accu's mogen **NOOIT** door onbevoegd personeel worden geopend. (Neem contact op met uw distributeur voor garantie en reparaties).
- **RAAK** de polen van de accu/oplader **NOOIT** aan.
- **HOUD** de accu's steeds opgeladen. Plaats de accu telkens wanneer de tillift niet wordt gebruikt, op de oplader. Of laad de accu's iedere nacht op, als u dit gemakkelijker vindt. Het is niet mogelijk de accu's te 'overladen'
- Laat de accu's **NOOIT** volledig ontladen. Als het waarschuwingssignaal klinkt dat de accu's opgeladen moeten worden, maak dan de tilbeweging af waarmee u bezig bent, en plaats het voedingselement direct op de oplader.

WAARSCHUWING

- Om mogelijke permanente schade aan de accu te voorkomen, dient de accu opgeladen te worden zodra het icoontje van een halflege batterij zichtbaar is.
- Als u het voedingselement voor langere tijd opbergt, zorg er dan voor dat u de accu's **REGELMATIG** oplaadt.
- Controleer **ALTIJD** of de stroomtoevoer naar de oplader is uitgeschakeld voordat u het voedingselement op de oplader plaatst of eraf haalt.
- Laat het voedingselement **NOOIT** in de oplader staan als de stroom niet is aangesloten.
- Laat de oplader **NIET** aan staan zonder dat er een accu in zit.
- **GEBRUIK** de lift **NIET** tijdens het opladen van de accu.
- Om schade aan de elektrische aansluiting te voorkomen, moet u steeds voordat u de lift verrijdt, **CONTROLLEREN** of hij niet is aangesloten op de oplader.
- **TREK NOOIT** de stekker van de oplader uit het contact door aan de kabel te trekken.
- **PAS OP** dat u niet over de laadkabel struikelt.
- Laad een elektrische tillift **NIET** op in een badkamer of doucheruimte.

8. Onderhoudsschema & Dagelijkse controlelijst

Alle producten van Oxford zijn ontworpen met het oog op minimaal onderhoud. Toch zijn er enkele veiligheidscontroles en -procedures vereist. Hieronder staat een overzicht van DAGELIJKSE taken.

Dagelijkse controle en tweejaarlijks onderhoud, inspecties en testen zorgen ervoor dat uw product in optimale, veilige werkconditie wordt gehouden. Op verzoek is een lijst van reservedonderdelen verkrijgbaar.

OPMERKING: De LAADTEST en CERTIFICERING mogen uitsluitend worden uitgevoerd door gekwalificeerd personeel of een erkende servicedealer.

Dagelijkse controlelijst:

Joerns Healthcare Ltd adviseert nadrukkelijk de volgende controles dagelijks voor gebruik van de tillift uit te voeren.

- **CONTROLEER** of de tillift vrijelijk op zijn zwenkwielen kan bewegen.
- **CONTROLEER** of het tiljuk vrijelijk kan draaien en zwaaien. Controleer of het tiljuk correct en veilig aan de tilarm is bevestigd.
- **CONTROLEER** de haken van de tilband op het tiljuk en de ophanging aan zijanten op overmatige slijtage. Gebruik de tillift **NIET** in geval van twijfel.
- **CONTROLEER** of de borgringen van de tilband op het tiljuk zijn aangebracht en functioneren zoals bedoeld.
- **CONTROLEER** of het onderstel correct opent en sluit.
- Bedien de handbediening of het hydraulische systeem om **VAST TE STELLEN** of de tilarm naar tevredenheid tilt en daalt.
- **STEL VAST** of de tillift geen alarmsignaal voor lage-accu spanning afgeeft wanneer de handbediening wordt gebruikt (geldt uitsluitend voor elektrische liften) Als het alarmsignaal klinkt, gebruik de tillift dan **NIET** en plaats de accu direct op de oplader.
- **CONTROLEER** bij elektrische tilliften de werking van de noodstopknop.
- **CONTROLEER** bij hydraulische liften of er geen hydraulische vloeistof lekt. Bij lekkage moet dit direct aan een onderhoudsmonteur worden gemeld en de tillift mag niet worden gebruikt totdat het probleem is opgelost.
- **CONTROLEER** bij liften met een afneembare mast of de mast goed in de houder is geplaatst en de vergrendelingsknop goed is aangedraaid.
- **CONTROLEER** tilliften op rafels of andere schade. **GEbruik NOOIT** een tillift als deze beschadigd is of slijtage vertoont.
- **INSPECTEER** alle bevestigingsmaterialen en verzeker u ervan dat ze veilig zijn voordat de tillift wordt gebruikt.

Onderhoud, inspectie en testen:

Joerns Healthcare Ltd adviseert om minstens ieder half jaar een grondige inspectie en test van de accessoires, tilbanden etc. van de Oxford mobiele tilliften te laten uitvoeren. De controle en de test moeten worden uitgevoerd volgens de hieronder vermelde aanbevelingen en procedures. Joerns Healthcare adviseert het onderhoud, de inspectie en het gecertificeerde testen uitsluitend door erkende dienstverleners te laten uitvoeren.

OPMERKING: Deze aanbevelingen zijn in overeenstemming met de vereisten van de Britse verordening 1998 Nr. 2307 Health and Safety (Gezondheid en Veiligheid): The Lifting Operations and Lifting Equipment Regulations 1998. (Regelgeving Liftgebruik en Liftapparatuur). Dit is een Britse wet. Voor regelgeving buiten het Verenigd Koninkrijk wordt verwezen naar de in uw land geldende wet- en regelgeving.

- **TILJUK:** Controleer of het tiljuk vrijelijk kan draaien en bewegen. Controleer op slijtage van de middelste draaipen. Controleer of de slijtring aanwezig is en hoe de conditie hiervan is. Controleer of alles goed aan de tilarm bevestigd is. Inspecteer de haken van de tilband en eventuele ophanging aan zijkanalen die in combinatie met het juk wordt gebruikt, op overmatige slijtage. Controleer of de borgringen van de tilband zijn aangebracht en functioneren zoals bedoeld. Smeer het belangrijkste ophangpunt en de centrale draaipen met een licht vet op minerale basis of gebruik siliconenspray.
- **TILARM:** Controleer of de tilarm goed aan de mast is bevestigd. Zie erop toe dat de tilarm slechts minimaal zijwaarts kan bewegen en dat de tilarm vrij kan draaien op de drager. Controleer of de tilarm goed in het midden staat en geen schade vertoont. Controleer of de bevestiging van de actuator of het hydraulische systeem goed vast zit.
- **MAST:** Controleer of het vergrendelingsmechanisme van de mast goed functioneert. Controleer of de mast goed en volledig in de houder zit. Controleer of de bevestiging van de onderste actuator of het hydraulische systeem veilig is.
- **SMART MONITOR (uitsluitend bij elektrische liften):** Controleer de werking van de noodstopknop. Controleer of het contact van de handbediening goed is geplaatst. Controleer of de handbediening correct functioneert. Controleer de extra bedieningsknoppen en stel vast of ze functioneren zoals bedoeld.
- **VERSTELLEN VAN ONDERSTEL:** Controleer of de verbindingen van de poten veilig zijn. Gebruik de pedalen op het onderstel of de handbediening (uitsluitend bij elektrische modellen) om vast te stellen of de poten gemakkelijk open en dicht gaan. Als verbindingen van de poten beschadigd zijn, moeten ze worden vervangen. Stel vast of het verstelmechanisme in alle open en gesloten posities vergrendelt/correct plaatst. **ONDERHOUD:** Smeer het verstelmechanisme met een licht vet op minerale basis.
OPMERKING: Om het vet gemakkelijker aan te brengen, moet de mast worden verwijderd van de dwarsligger en het vet aan de binnenzijde van de msthouder worden aangebracht (uitsluitend bij bediening via voetpedalen).
- **DRAAIPUNTEN ONDERSTEL:** Controleer of de draaipunten van het onderstel veilig zijn en de poten vrijelijk kunnen draaien. Als dit moeilijk gaat, moet dit worden nagekeken. Haal bij twijfel de draaipunten uit elkaar en smeer ze met een licht vet op minerale basis. Zorg ervoor dat er geen overmatige speling in de draaipunten zit.
- **ZWENKWIELEN:** Controleer of alle zwenkwielen goed aan de poten zijn bevestigd. Controleer of de zwenkwielen vrijelijk kunnen draaien en roteren. Verwijder haren, stof, draden en dergelijke. Smeer, indien nodig, met een licht vet op minerale basis of siliconenspray. Controleer of de remmen goed functioneren. Stel vast dat alle vier de zwenkwielen stevig op de grond staan.

- **ACTUATOREN (uitsluitend elektrische modellen):** De actuatoren hebben feitelijk geen onderhoud nodig. Controleer slechts of ze goed functioneren en let op ongebruikelijke geluiden. Controleer of alle bevestigingspunten veilig zijn. Stel vast of het veiligheidssysteem om beknelling te voorkomen, functioneert (uitsluitend bij tillen d.m.v. actuator) Bij twijfel mag de eenheid NIET worden gebruikt en moet deze door gekwalificeerd personeel of een door Oxford erkende servicedealer worden gecontroleerd.
- **NOODFUNCTIE VOOR TILLEN/DALEN EN NOODDALING:** Controleer zowel de extra tillen/dalen knoppen en de mechanische nooddaalfunctie (indien aanwezig) waarbij de maximale veilige belasting aan het uiteinde van de tilarm wordt toegepast. NB: een veerdrukmeter controleert niet correct of de nooddaling goed functioneert.
- **HYDRAULISCH SYSTEEM:** Het hydraulische systeem heeft feitelijk geen onderhoud nodig. Controleer slechts of het systeem in beide richtingen goed functioneert en let op lekkage van hydraulische vloeistof. Daarnaast moet de plunjer worden gecontroleerd op ingesloten lucht/sponswerking.
- **ACCUS (uitsluitend elektrische modellen):** De accu's bevinden zich in het voedingselement en hebben geen ander onderhoud nodig dan regelmatig opladen, zoals beschreven in de instructies betreffende opladen.
- **REINIGING:** Reinig met gewone zeep en water en/of desinfectiemiddel voor harde oppervlakken. Vermijd agressieve chemische schoonmaakmiddelen of schuurmiddelen. Deze kunnen de afwerking van de tillifst beschadigen. Maak de elektrische onderdelen niet nat. Na het reinigen moet het apparaat grondig worden gedroogd.
- **TILBANDEN:** Controleer op slijtage en rafels. GEBRUIK NOOIT een tillift als deze beschadigd is of slijtage vertoont.
- **BELASTINGSTEST:** De belastingtest moet worden uitgevoerd in overeenstemming met de testprocedures van de fabrikant en de richtlijn zoals beschreven in EN ISO 10535:2006 - Bijlage B - Periodieke inspectie B1 - waarvan hieronder een uittreksel wordt gegeven. Het wordt sterk aanbevolen de test door een erkende servicedealer te laten uitvoeren.

EN ISO 10535:2006

Bijlage B

(Informatief)

Periodieke inspectie

B. 1 De periodieke inspectie van de lift moet worden uitgevoerd volgens de door de fabrikant aangegeven tijdsintervallen, maar minstens één maal per jaar. Met periodieke inspectie wordt bedoeld een visuele keuring van met name de dragende structuur van de lift en het liftmechanisme met bevestigingen, remmen, bediening, veiligheidsvoorzieningen en de voorzieningen waarmee een persoon wordt ondersteund. Daarnaast dienen de vereiste functietesten en onderhoudsmaatregelen te worden uitgevoerd, zoals verstellen van de remmen, vastmaken van bevestigingsmaterialen.

Bij iedere inspectie dient de werklast door middel van één (1) liftcyclus met maximale belasting te worden getest.

- **CERTIFICERING:** Een erkende servicedealer geeft een testcertificaat af als de belastingstest met goed resultaat is uitgevoerd. Dit certificaat is zes maanden geldig.

AFVALVERWERKING:

Accu: Alle accu's in het product en begeleidende accessoires moeten apart worden gerecycled. De afvalverwerking van accu's dient plaats te vinden volgens lokale of nationale regelgeving.

Tilbanden: Tilbanden en gerelateerde accessoires moeten volgens lokale of nationale regelgeving als brandbaar afval worden gesorteerd.

9. Technische specificaties

In de onderstaande tekeningen worden de belangrijkste maten van de tilliften uit de Oxford Classic serie getoond. Voor iedere tillift staan de fysieke maten op de volgende bladzijde.

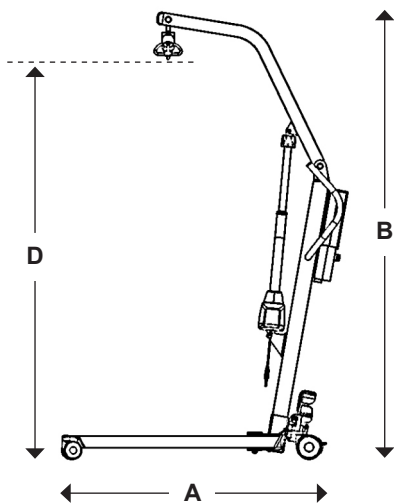


Fig. 22

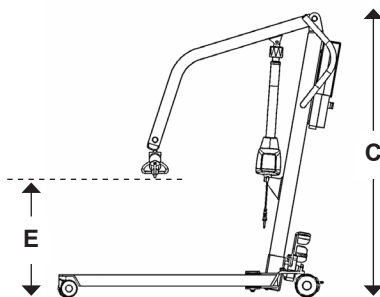


Fig. 23

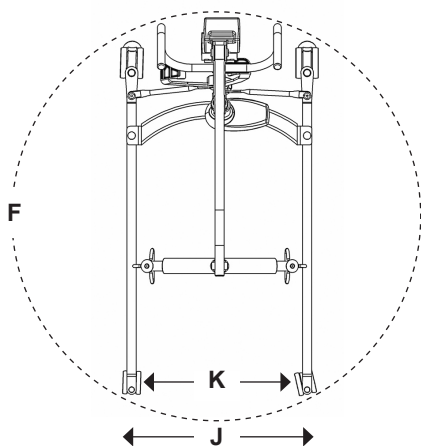


Fig. 24

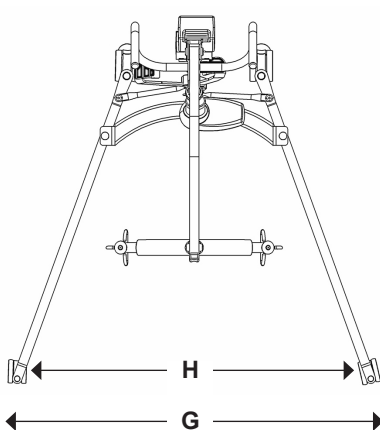


Fig. 25

	MINI 140		MIDI 180	
	Elektrisch	Hydraulisch	Elektrisch	Hydraulisch
Veilige belasting	140 kg	140 kg	180 kg	180 kg
Lengte (A)	1175 mm	1175 mm	1225 mm	1225 mm
Maximale totale hoogte (B)	1730 mm	1730 mm	1840 mm	1840 mm
Minimale totale hoogte (C)	1230 mm	1230 mm	1240 mm	1240 mm
Tiljuk max. Hoogte (D)	1545 mm	1560 mm	1660 mm	1630 mm
Tiljuk min. Hoogte (E)	530 mm	540 mm	525 mm	500 mm
Hoogte tiljuk bij maximaal bereik	1000 mm	1000 mm	1060 mm	1060 mm
Bereik bij maximale hoogte *	420 mm	370 mm	420 mm	470 mm
Bereik bij minimale hoogte *	400 mm	420 mm	440 mm	460 mm
Maximum bereik	565 mm	565 mm	656 mm	656 mm
Draaicirkel (F)	1150 mm	1150 mm	1235 mm	1235 mm
Onderstel open (Buitenmaat) (G) (Binnenmaat) (H)	1060 mm 1000 mm	1060 mm 1000 mm	1170 mm 1070 mm	1170 mm 1070 mm
Onderstel gesloten (Buitenmaat) (J) (Binnenmaat) (K)	600 mm 540 mm	600 mm 540 mm	600 mm 540 mm	600 mm 540 mm
Totale hoogte onderstel	100 mm	100 mm	100 mm	100 mm
Ruimte vanaf de grond	25 mm	25 mm	25 mm	25 mm
Dubbele zwenkwielen voorzijde	75 mm	75 mm	75 mm	75 mm
Geremde zwenkwielen achterzijde	100 mm	100 mm	100 mm	100 mm

Gewichten:				
Mast & Tilarm incl. alle bevestigingsmaterialen	17,5 kg	17,5 kg	20,5 kg	20,5 kg
Basis	11 kg	11 kg	11,5 kg	11,5 kg
Gemonteerde eenheid	28,5 kg	28,5 kg	32 kg	32 kg
Accu	2,9 kg	-	2,9 kg	-

* Bereik = Midden van tiljuk tot voorzijde mast

	MAJOR 200		MAXI 180
	Elektrisch	Hydraulisch	Elektrisch
Veilige belasting	200 kg	200 kg	180 kg
Lengte (A)	1300 mm	1300 mm	1315 mm
Maximale totale hoogte (B)	1930 mm	1930 mm	2150 mm
Minimale totale hoogte (C)	1380 mm	1380 mm	1560 mm
Tiljuk max. Hoogte (D)	1715 mm	1705 mm	1970 mm
Tiljuk min. Hoogte (E)	565 mm	525 mm	780 mm
Hoogte tiljuk bij maximaal bereik	1200 mm	1200 mm	1420 mm
Bereik bij maximale hoogte *	610 mm	620 mm	550 mm
Bereik bij minimale hoogte *	515 mm	510 mm	540 mm
Maximum bereik	720 mm	720 mm	730 mm
Draaicirkel (F)	1310 mm	1310 mm	1310 mm
Onderstel open (Buitenmaat) (G) (Binnenmaat) (H)	1230 mm 1140 mm	1230 mm 1140 mm	1230 mm 1140 mm
Onderstel gesloten (Buitenmaat) (J) (Binnenmaat) (K)	660 mm 580 mm	660 mm 580 mm	660 mm 580 mm
Totale hoogte onderstel	100 mm	100 mm	100 mm
Ruimte vanaf de grond	15 mm	15 mm	15 mm
Dubbele zwenkwielen voorzijde	75 mm	75 mm	75 mm
Geremde zwenkwielen achterzijde	100 mm	100 mm	100 mm

Gewichten:			
Mast & Tilarm incl. alle bevestigingsmaterialen	23 kg	23 kg	24 kg
Basis	19 kg	19 kg	19 kg
Gemonteerde eenheid	42 kg	42 kg	43 kg
Accu	2,9 kg	-	2,9 kg

* Bereik = Midden van tiljuk tot voorzijde mast

Elektrische specificaties:

Accu's 2 x 12 Volt oplaadbare verzegelde lood-zuur-accu's
 Accucapaciteit 2,9 ampère-uren (Ah)
 Nominale voedingsspanning acculader 100-240V AC/24 VDC 50/60 Hz. Max 400MA
 Nominaal vermogen acculader 29,5 VDC. Max 19W

Beveiliging tegen elektrische schokken:

Oplader Klasse II
 Tillift Interne stroomvoorziening

Mate van beveiliging tegen elektrische schokken:

Oplader Type B
 Tillift Type B

Omgevingsvoorwaarden:

Wanneer de omgevingsvoorwaarden worden overschreden, komen functionaliteit en veiligheid in gevaar.

Operationele voorwaarden:

Temperatuur 5°C tot 40°C
 Relatieve vochtigheid 20% tot 90% bij 30°C niet-condenserend
 Atmosferische druk 700 hPa tot 1060 hPa
 Geluidsniveau 55 dB

Opbergvoorwaarden:

Temperatuur -10°C tot +50°C
 Relatieve vochtigheid 20% tot 90% bij 30°C niet-condenserend
 Atmosferische druk 700 hPa tot 1060 hPa

IP-classificaties:

Bedieningskast IPX4
 Actuator IPX4
 Afzonderlijke oplader IPX5
 Accu IP65
 Handset IPX5

Bedrijfscycli:

Actuator 10% (2 min/18 min)
 Accu 10% (2 min/18 min)

Belangrijkste symbolen:

De volgende symbolen worden op de oplader, bediening en accu gebruikt:



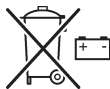
Dit product is een medisch hulpmiddel in overeenstemming met de EU-verordening Medische hulpmiddelen 2017/745.



Type B-apparatuur, volgens EN 60601-1



Klasse 2 apparatuur



Het weggooien van batterijen mag niet met het gewone huishoudelijke afval worden gemengd. De afvalverwerking van accu's dient plaats te vinden volgens lokale of nationale regelgeving.



Het weggooien van elektronica mag niet worden gemengd met algemeen huishoudelijk afval.



Voor gebruik binnenshuis



LET OP, raadpleeg meegeleverde documenten.



Raadpleeg de gebruikersinstructies voor gebruik.

WEEE Registratienummer fabrikant WEE/GG0464RZ

10. Garantie

Joerns Healthcare beschikt over een gevestigd netwerk van erkende distributeurs en onderhoudsmonteurs. Zij helpen u graag met al uw vragen betreffende uw aankoop, garantie, reparaties en onderhoud. Wij adviseren onze producten bedrijfsklaar te laten maken door uw erkende distributeur of onderhoudsmonteur.

De distributeur of onderhoudsmonteur voert het garantieschema uit; daarom is het belangrijk de naam, het adres en het telefoonnummer van deze personen te noteren, zodat u contact met hen kunt opnemen wanneer zich problemen voordoen. Als u niet zeker weet waar uw lift werd aangekocht, kan Joerns Healthcare aan de hand van het serienummer nagaan door welke leverancier het product werd geleverd.

Alle garantieclaims zijn onder voorbehoud van het juiste gebruik en onderhoud in overeenstemming met de gebruikershandleiding die met iedere lift wordt meegeleverd. Schade die is veroorzaakt door gebruik in een ongeschikte omgeving of het nalaten van het onderhoud in overeenstemming met de onderhouds- en gebruikersinstructies, wordt niet gedekt. Uw grondwettelijke rechten worden niet aangetast!

ONTHOUD: Neem contact op met uw erkende distributeur of onderhoudsmonteur voor aankopen, reparaties, onderhoud en gecertificeerd onderhoud.

Uw distributeur:

Packing Check List:

- | | |
|---|--|
| <input type="checkbox"/> User Manual | <input type="checkbox"/> Charger with Stand & Lead |
| <input type="checkbox"/> Test Certificate | <input type="checkbox"/> Base Assembly |
| <input type="checkbox"/> Mast & Boom Assembly | <input type="checkbox"/> Foam Packaging Inserts |
| <input type="checkbox"/> User Handset | <input type="checkbox"/> _____ |
| <input type="checkbox"/> Battery Pack | |

Checked for you by: _____

